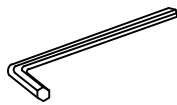


INSTALLATION MANUAL Tools You Will Need:



Adjustable wrench



Hexagon wrench



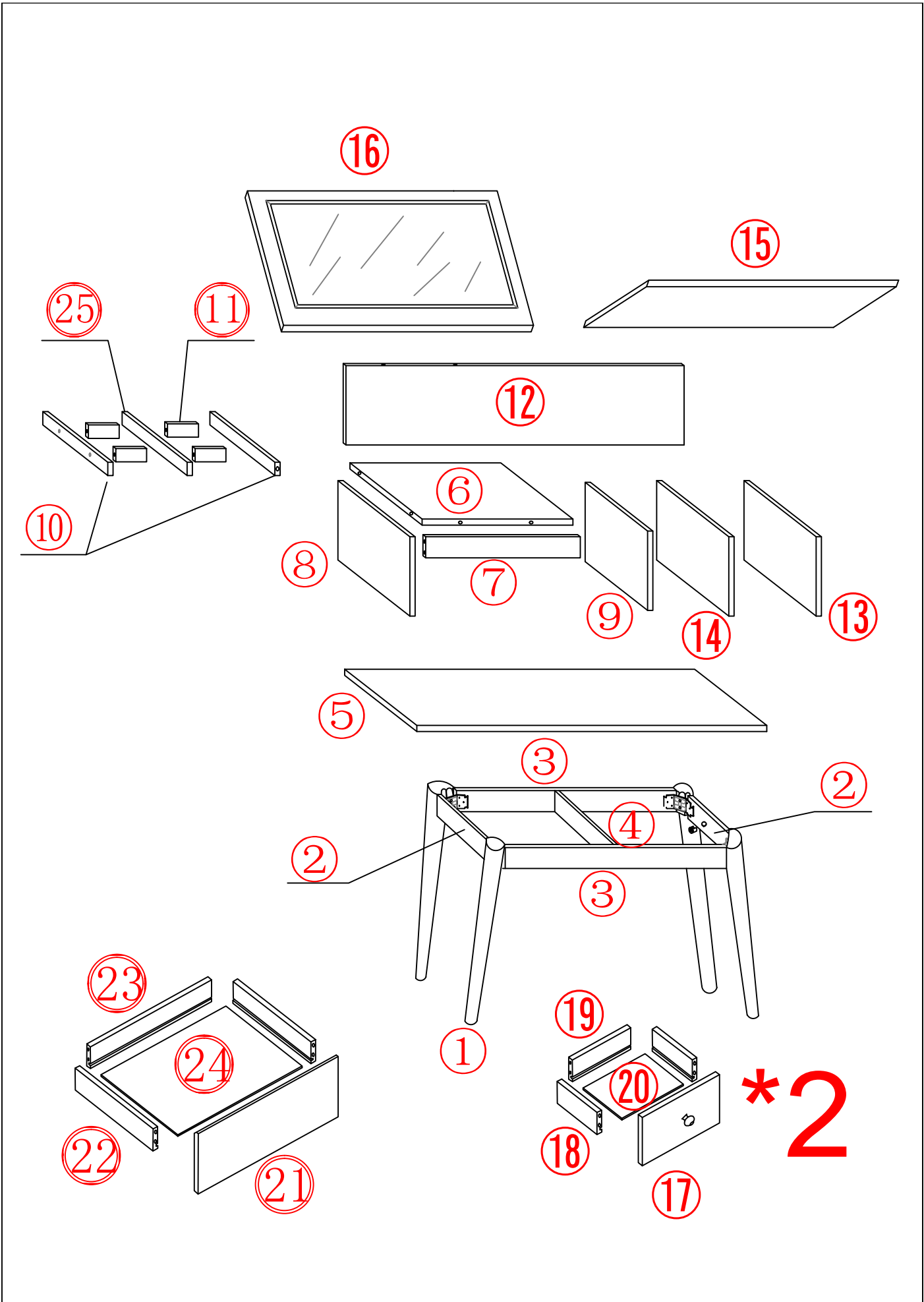
Philips Screwdriver

Before the Installation

1. Do not throw away packing materials until assembly is complete for small parts may come loose inside the carton during shipment. If parts are missing, please contact us.
2. Assemble this item on a soft surface, such as carpet to protect the finish.
3. Proper assembly of this item requires 2 people.
4. Periodically check to ensure that all connections are tight.
5. It is recommended that installation of the product be done by a qualified licensed furniture assembler.

Care and Cleaning

1. To protect the finish, avoid use chemicals and household cleaners.
2. All hot serving dishes should be placed on a pad.
3. Any liquid spilled onto the top should be wiped up immediately with a damp cloth.

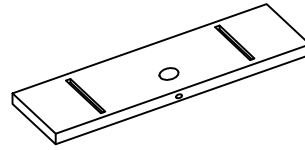


1.



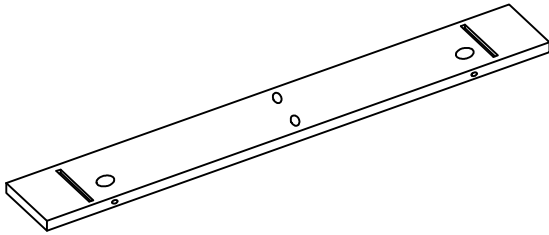
4PCS

2.



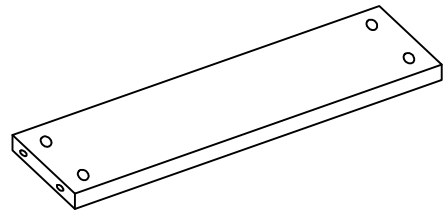
2PCS

3.



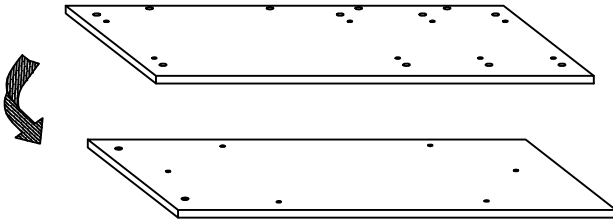
2PCS

4.



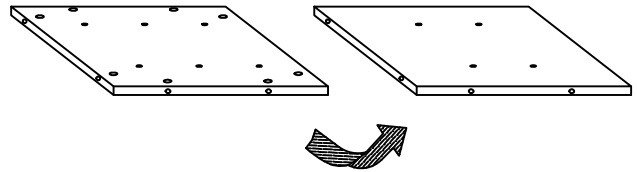
1PC

5.



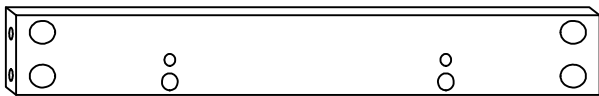
1PC

6.



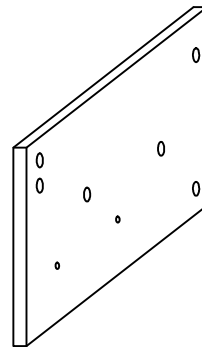
1PC

7.



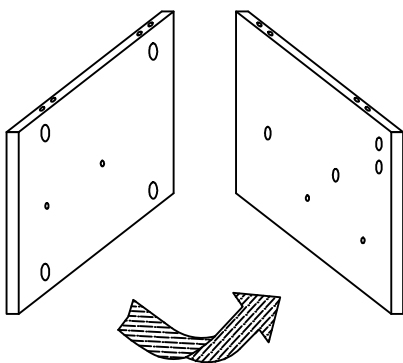
1PC

8.



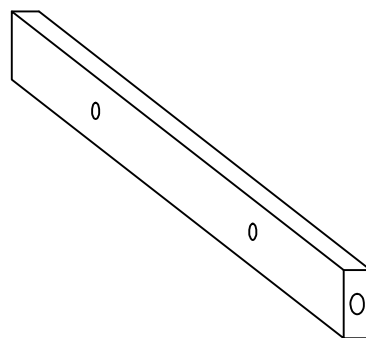
1PC

9.



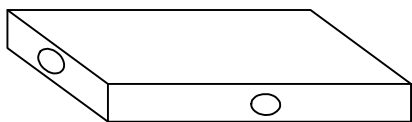
1PC

10.



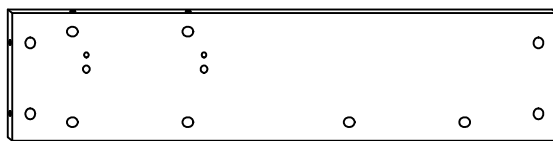
2PCS

11.



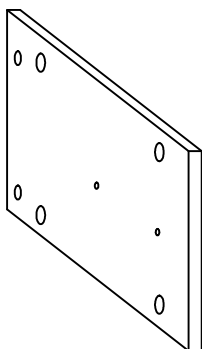
4PCS

12.



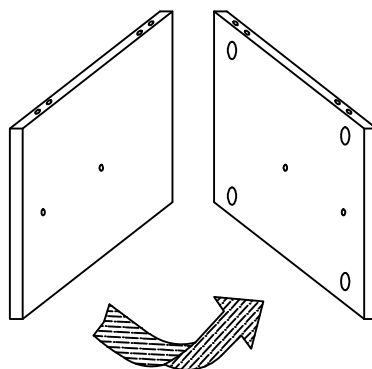
1PC

13.



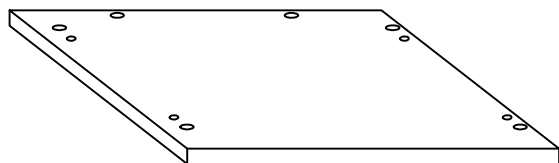
1PC

14.



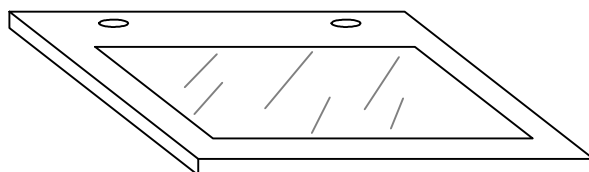
1PC

15.



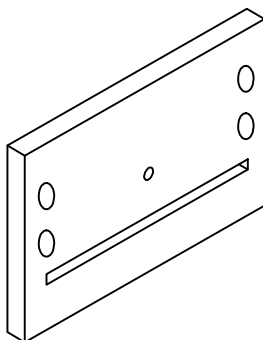
1PC

16.



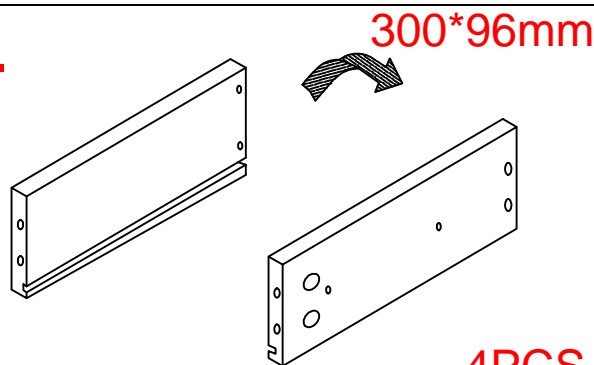
1PC

17.



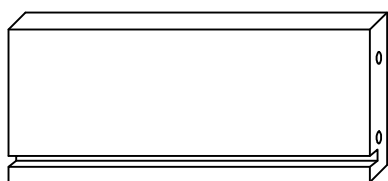
2PCS

18.



4PCS

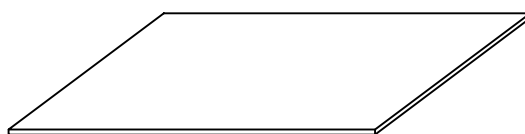
19.



2PCS

171*96mm

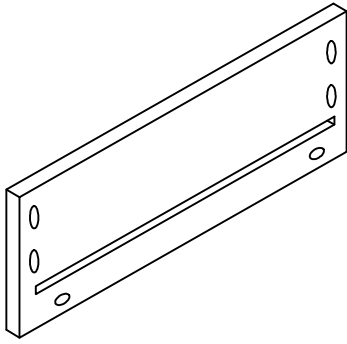
20.



2PCS

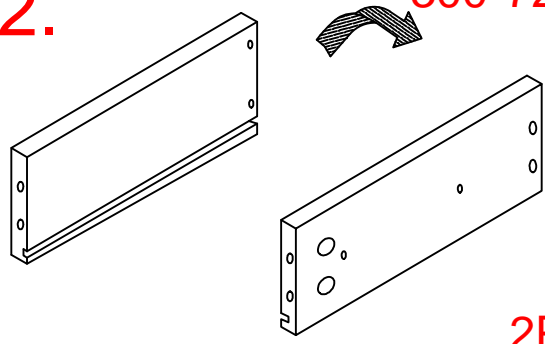
182*296*5mm

21.



1PC

22.



300*72mm

2PCS

23.

529*72mm



1PC

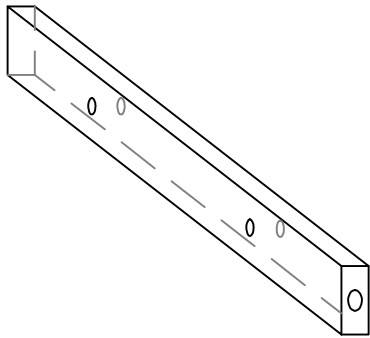
24.

540*296mm

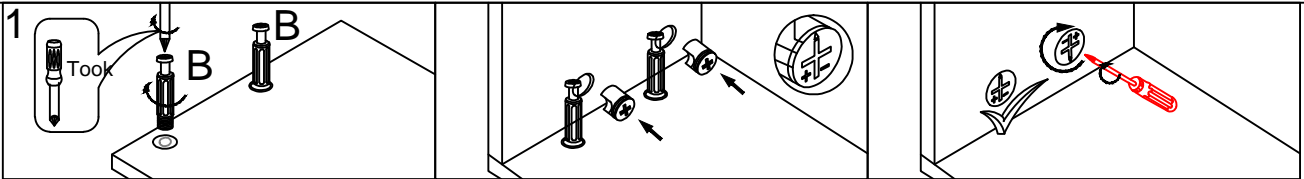


1PC

25.

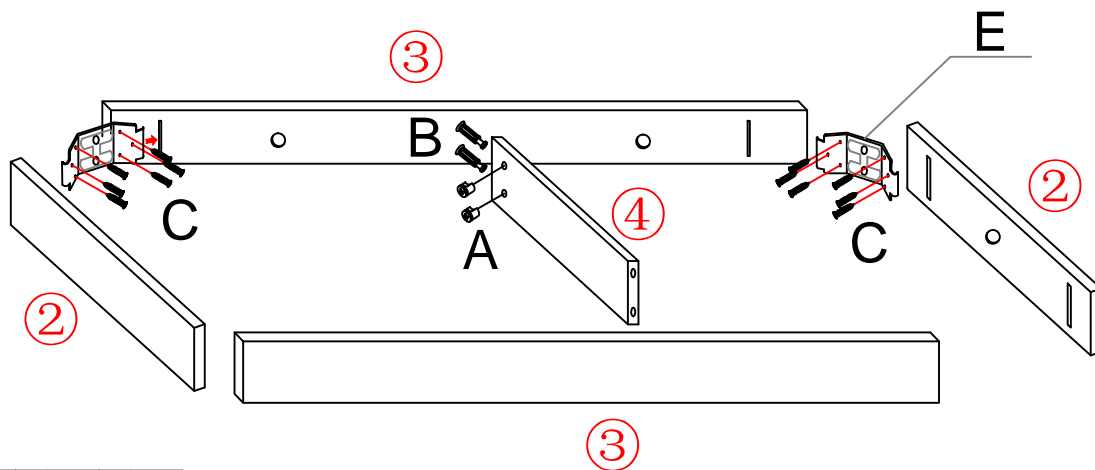


1PCS



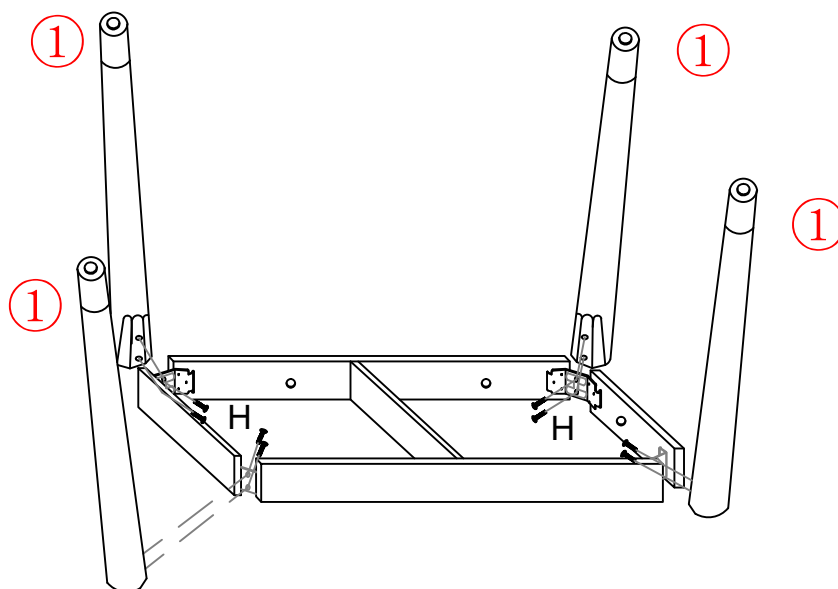
A	B	C	D	E	F	G	H
Ø15*10	Ø6*28MM	Ø3.5*14MM	12#		Ø6*25MM	Ø6*12MM	Ø6*35MM
I	J		K	L	M	N	O
Ø3.5*40MM		M4*18MM	Ø3.5*25MM	Ø6-12MM	Ø6-12MM	Ø6*20MM	Ø6*30MM
P	Q	R	S	T			
Ø8*40MM							

1



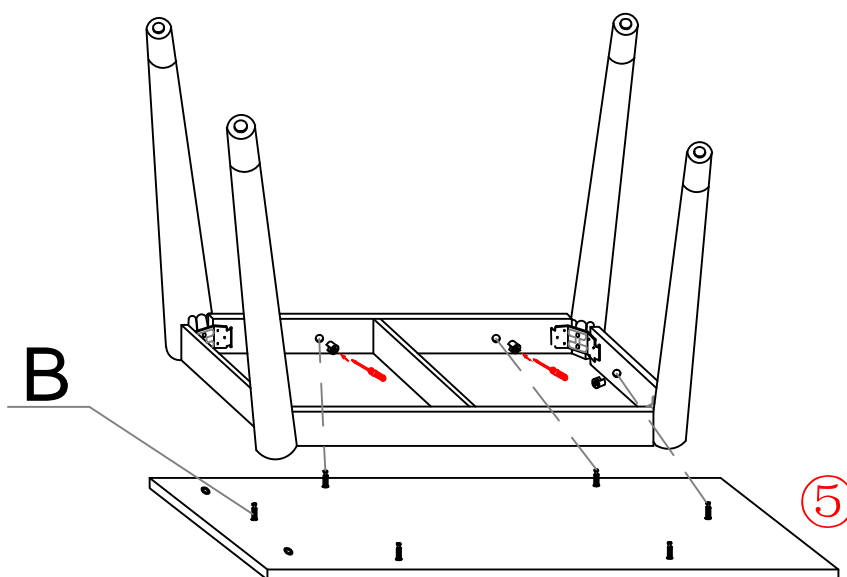
A	B	C	E
Ø15*10	Ø6*28MM	Ø3.5*14MM	

2



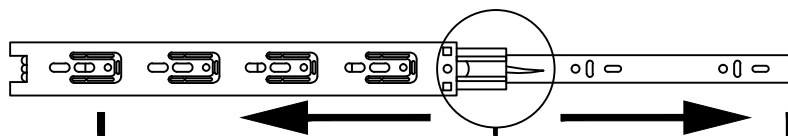
H
Ø6*35MM

3



B
Ø6*28MM

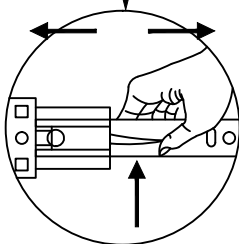
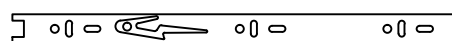
D*



D1



D2

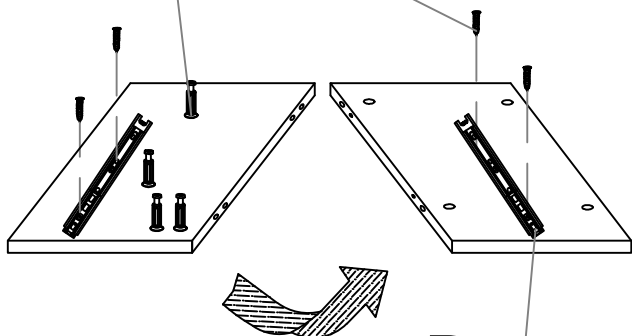


4

B

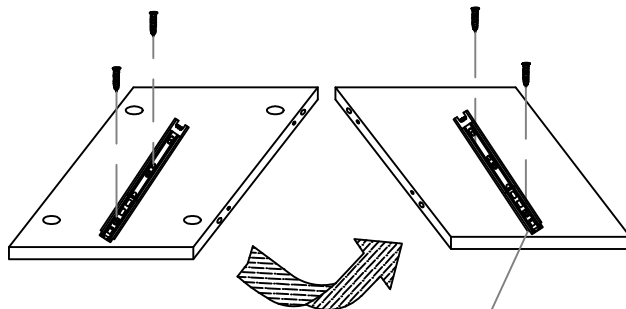
9

C



D1

14



D1

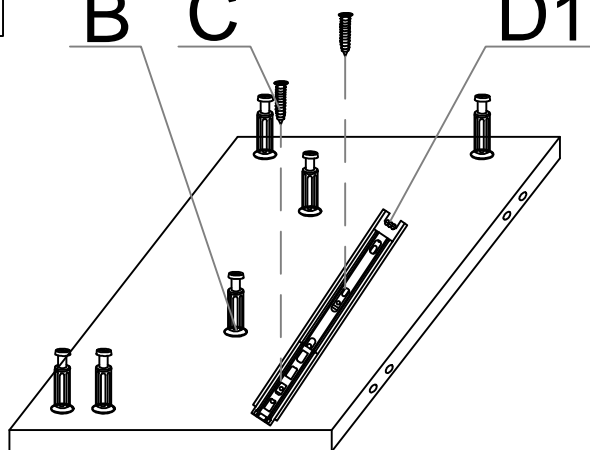
B	C	D
Ø6*28MM	Ø3.5*14MM	12#

5

B

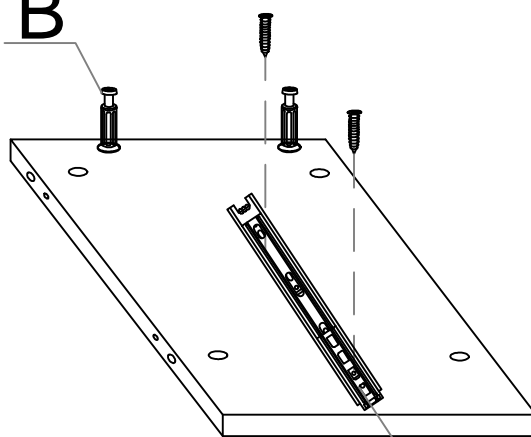
C

D1



8

B

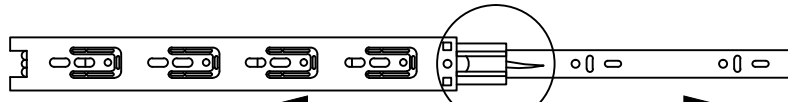


13

D1

B	C	D
Ø6*28MM	Ø3.5*14MM	12#

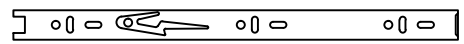
D*



D1

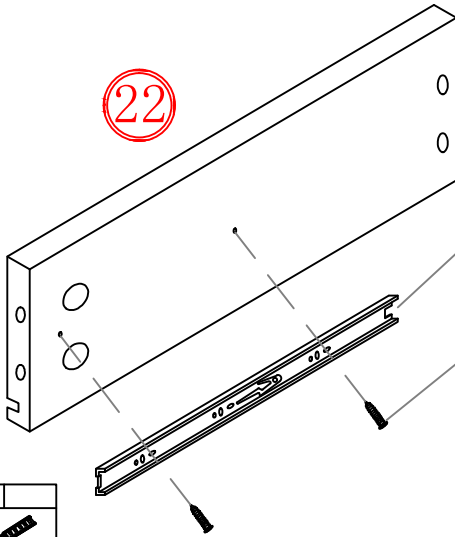


D2



C	D
Ø3.5*14MM	12#

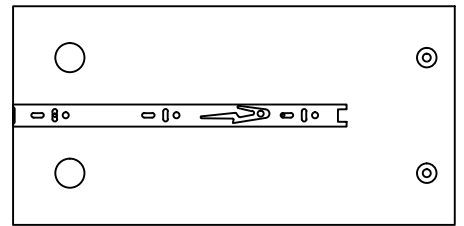
6



22

D2

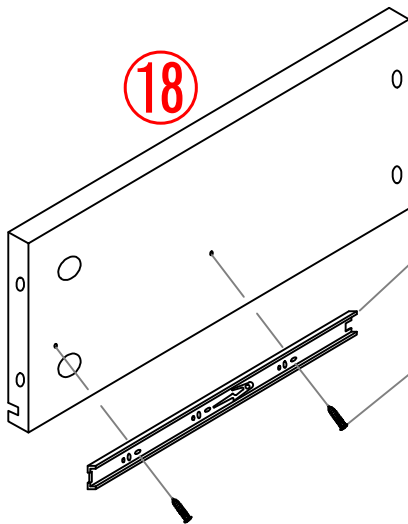
C



C	D
Ø3.5*14MM	12#

2PCS

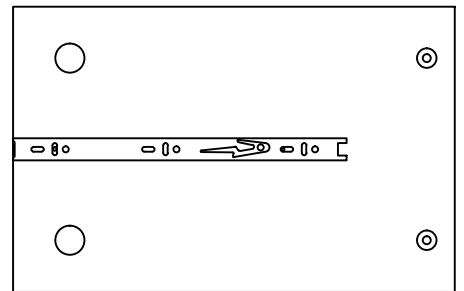
7



18

D2

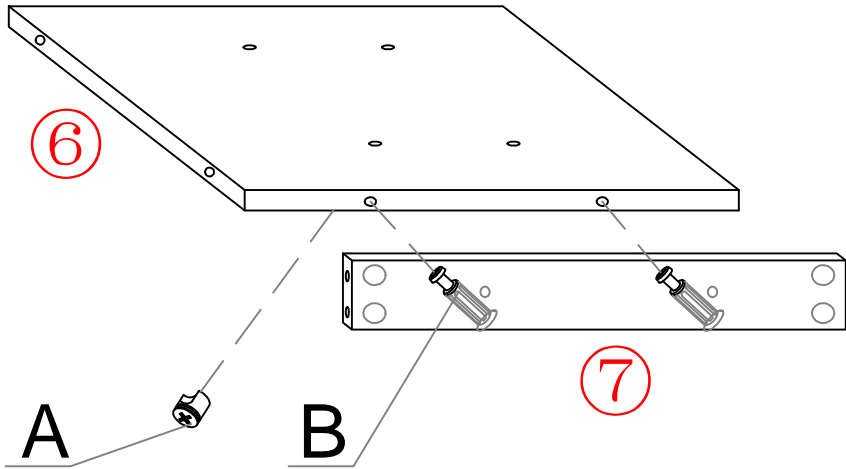
C



C	D
Ø3.5*14MM	12#

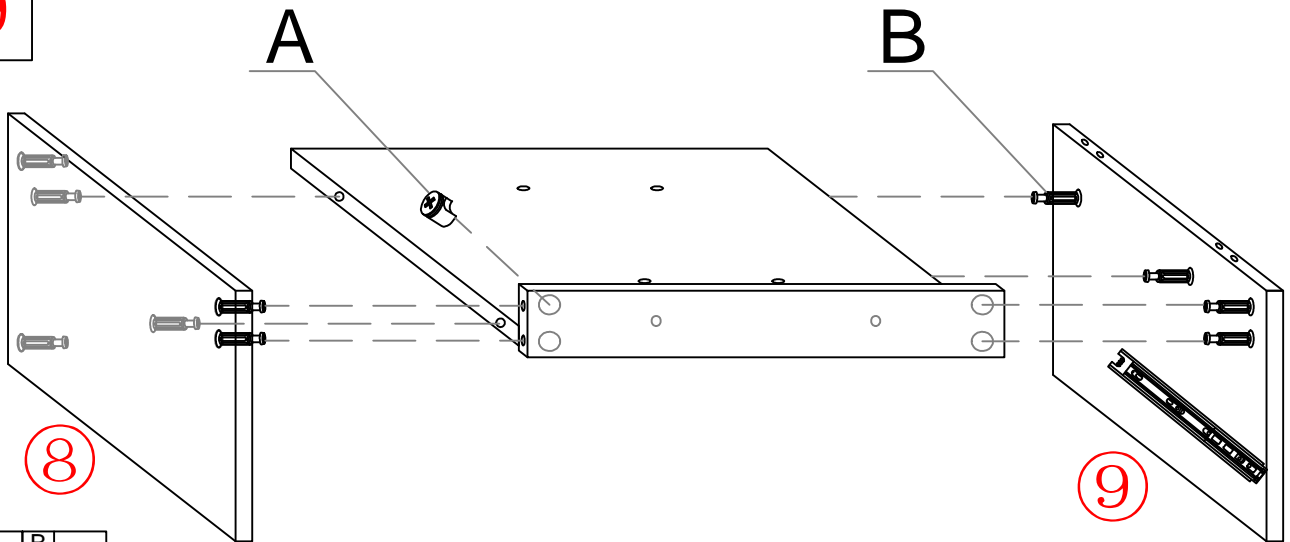
4PCS

8



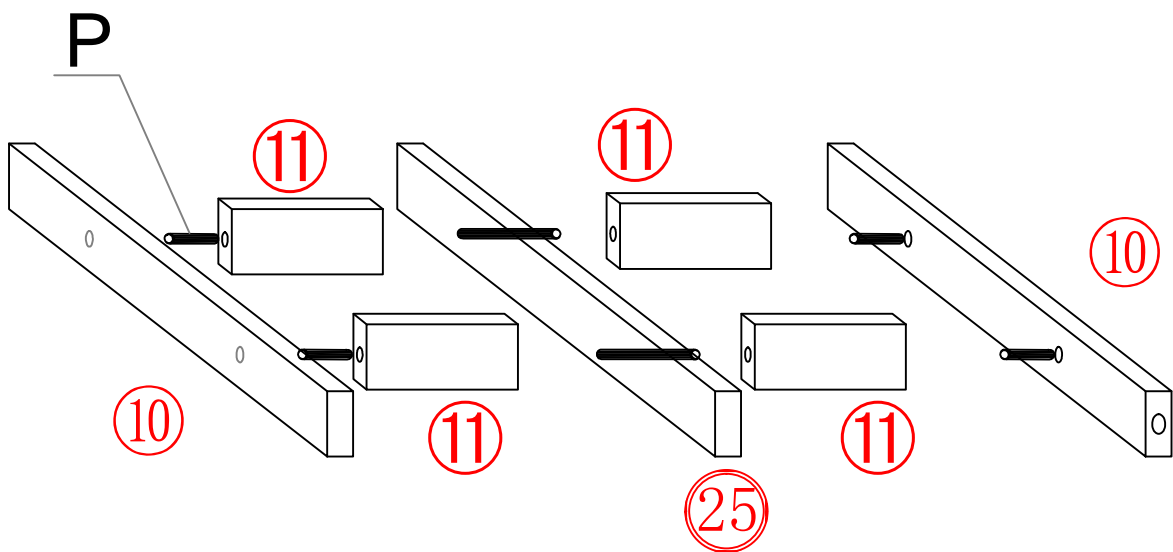
A	B
Ø15*10	Ø6*28MM

9



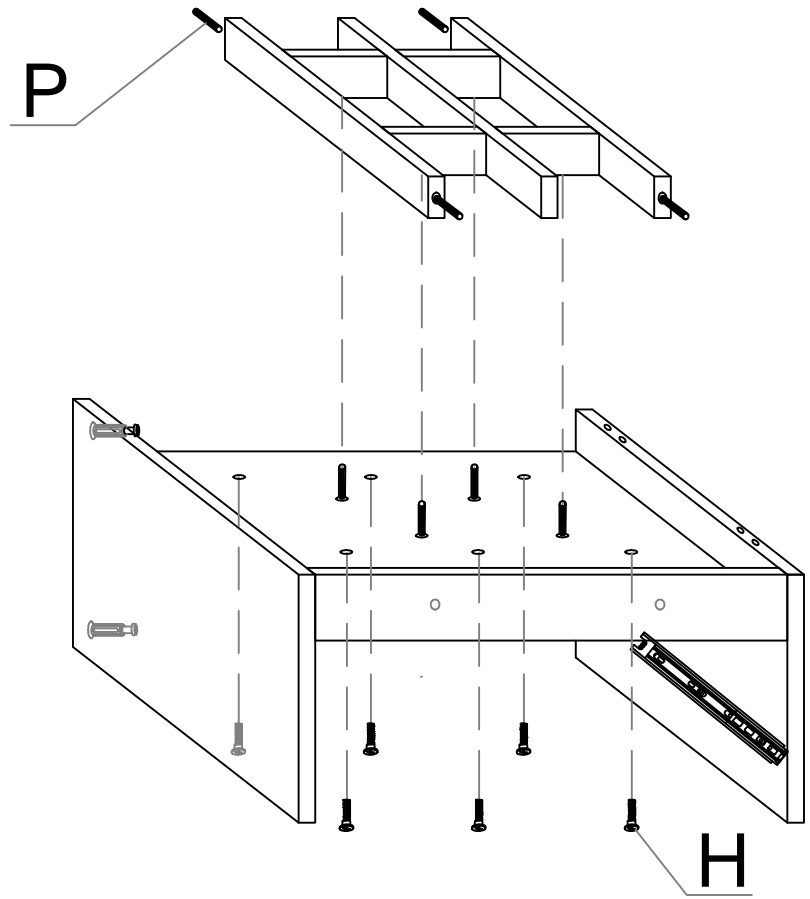
A	B
Ø15*10	Ø6*28MM

10



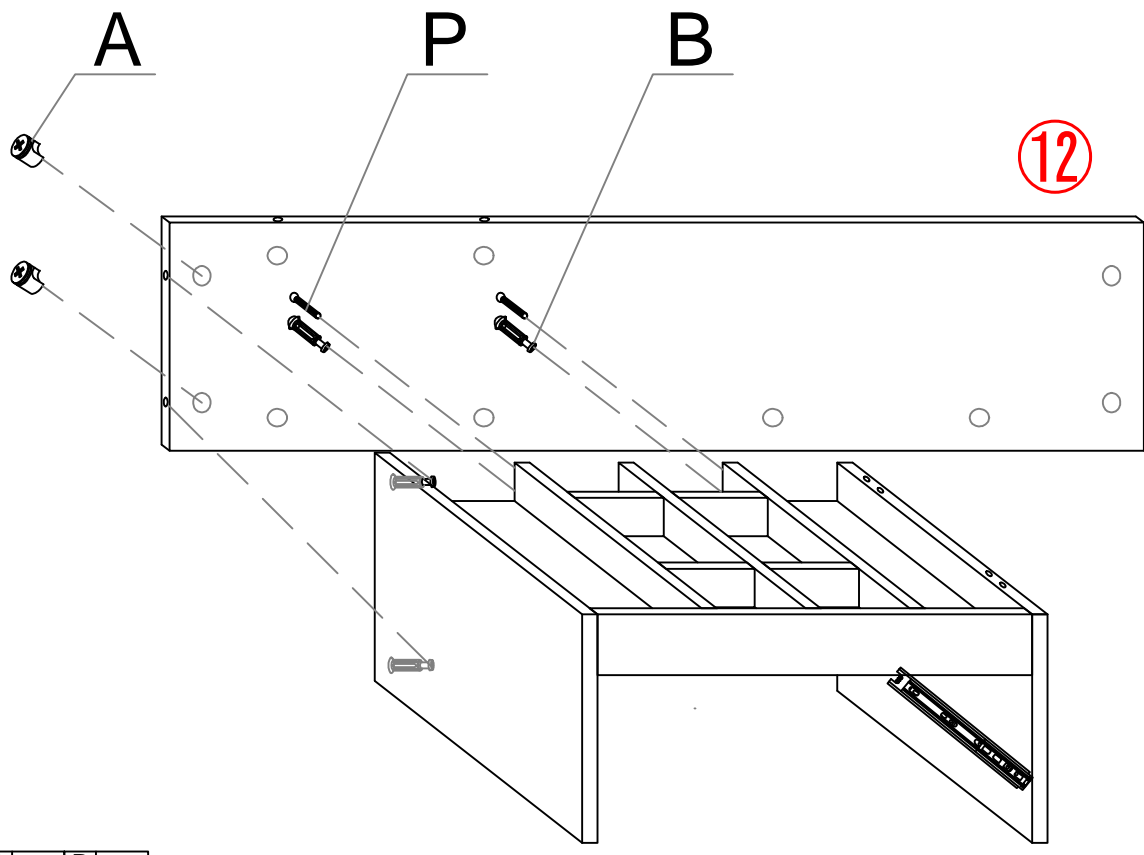
P
Ø8*40MM

11



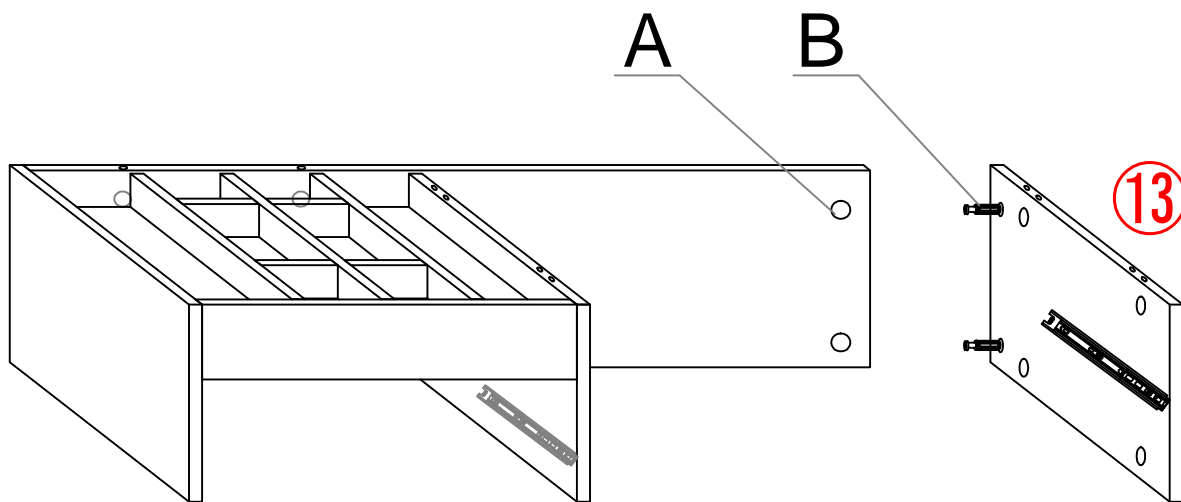
P	H
Ø8*40MM	Ø6*35MM

12



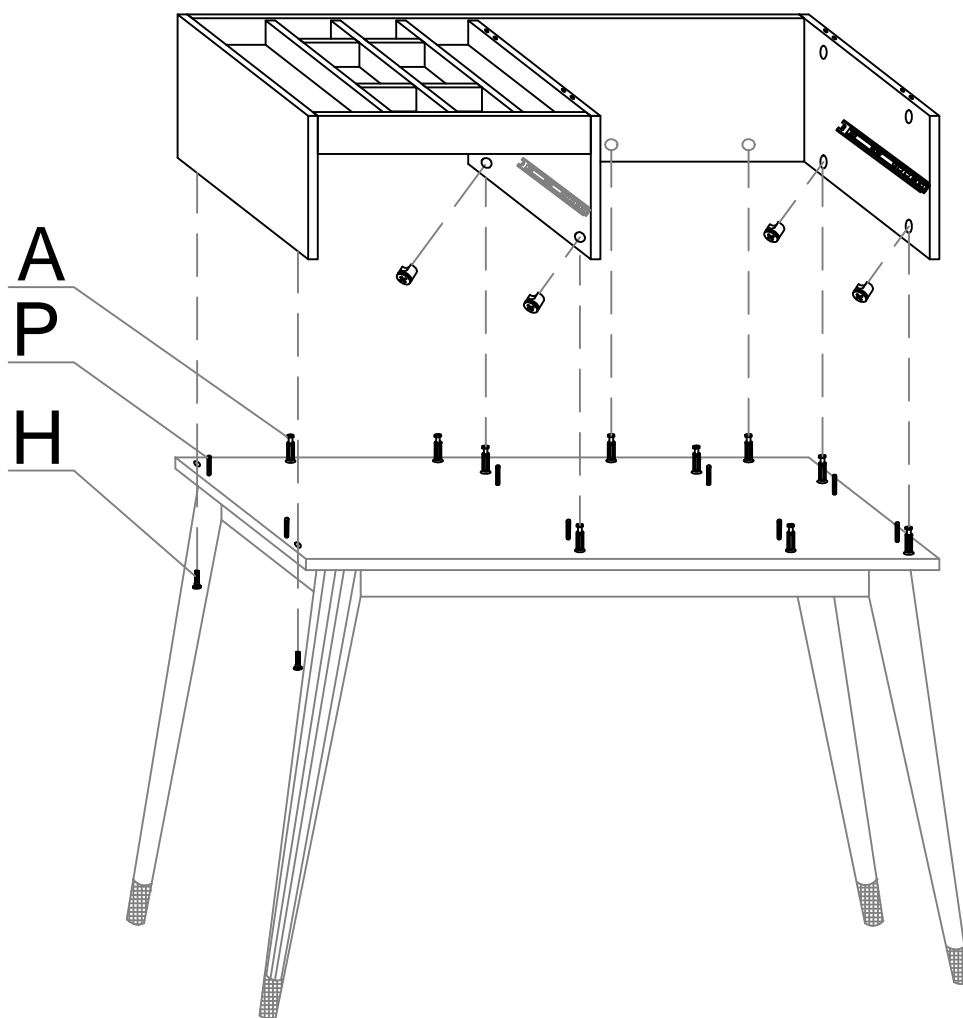
A	B	P
Ø15*10	Ø6*28MM	Ø8*40MM

13



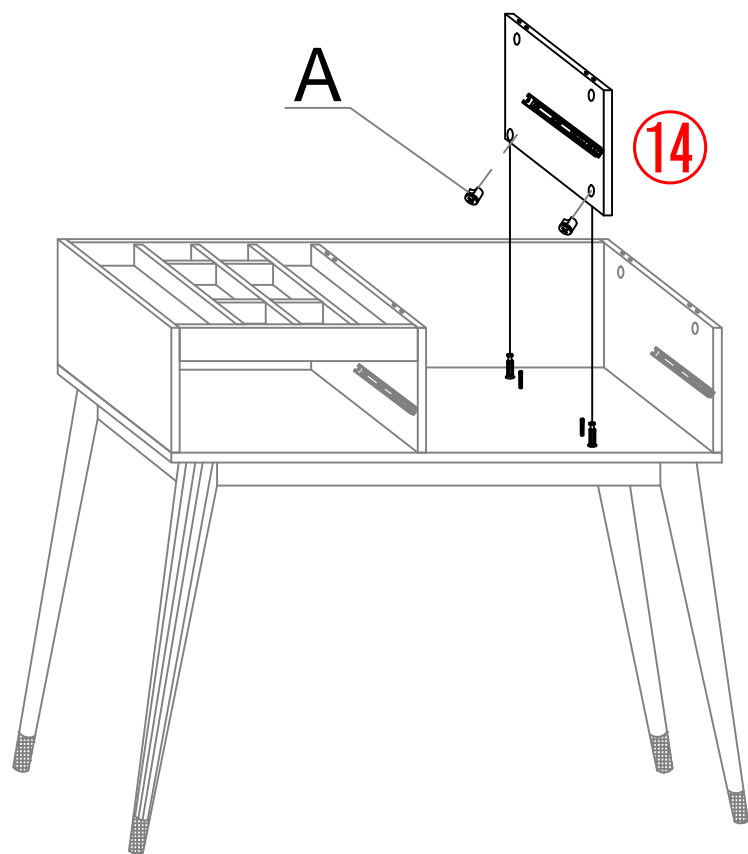
A	B
Ø15*10	Ø6*28MM


14



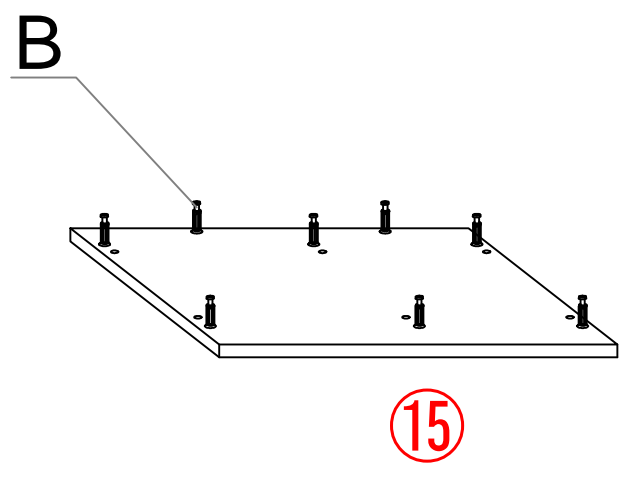
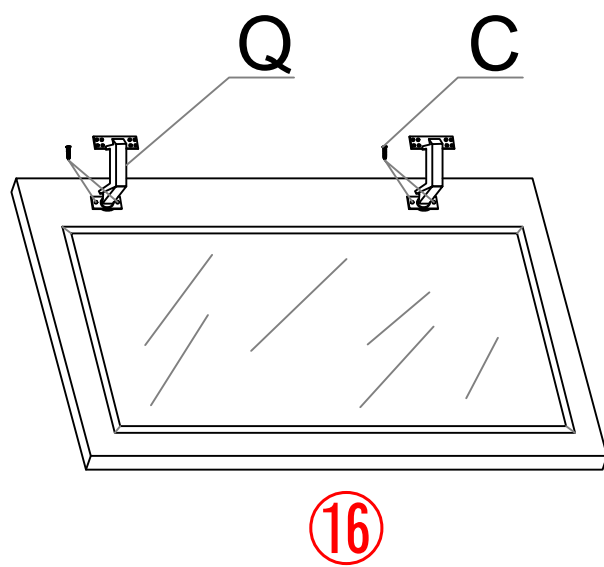
A	B	P	H
Ø15*10	Ø6*28MM	Ø8*40MM	Ø6*35MM




15



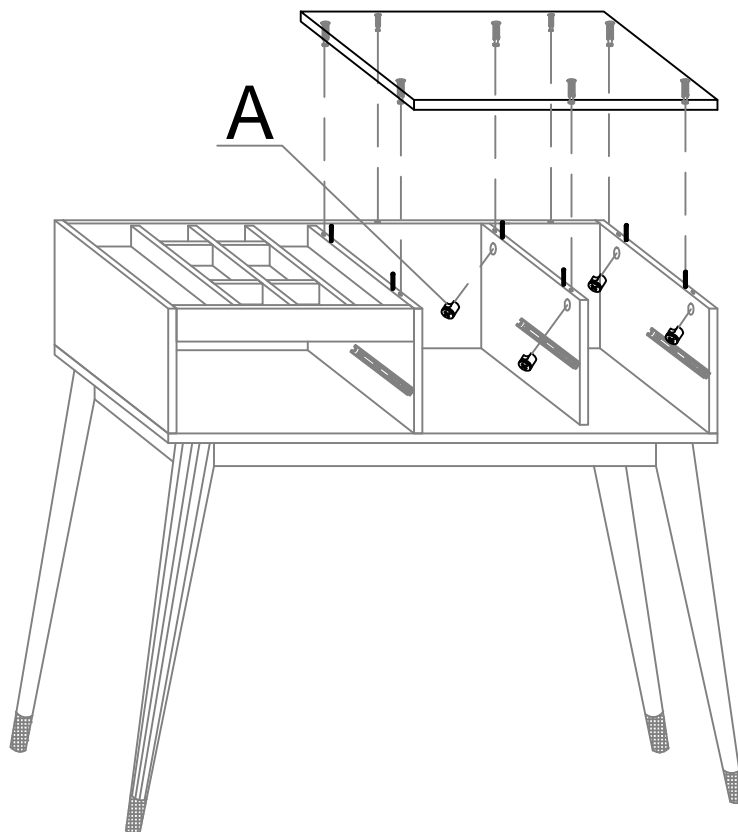
A

Ø15*10


16



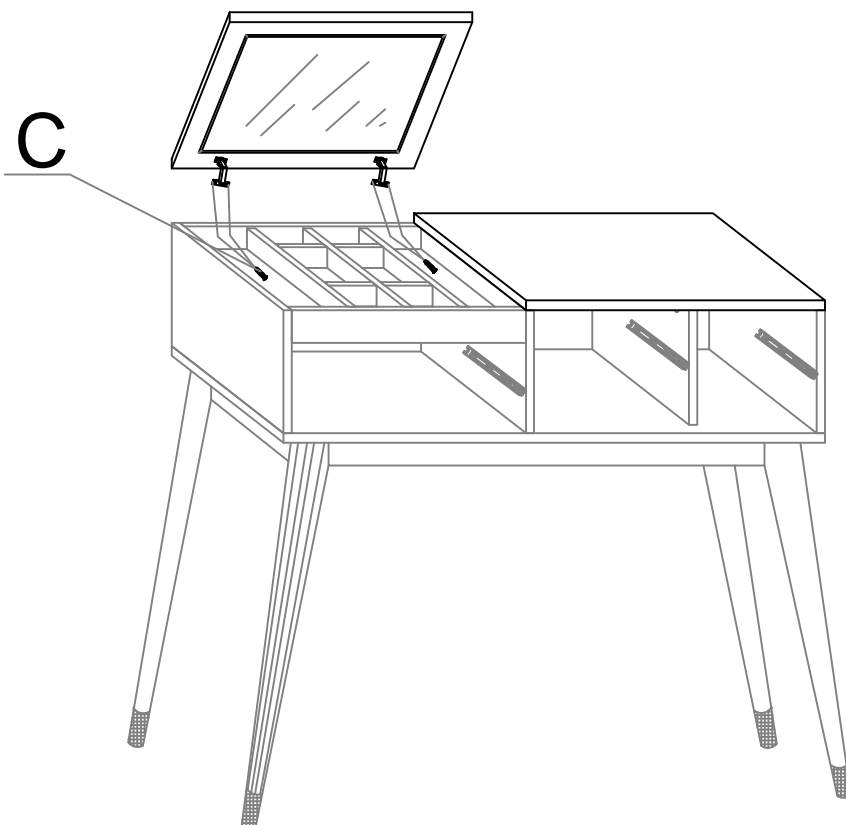
B	C	Q
		
Ø6*28MM	Ø3.5*14MM	

17



A

Ø15*10

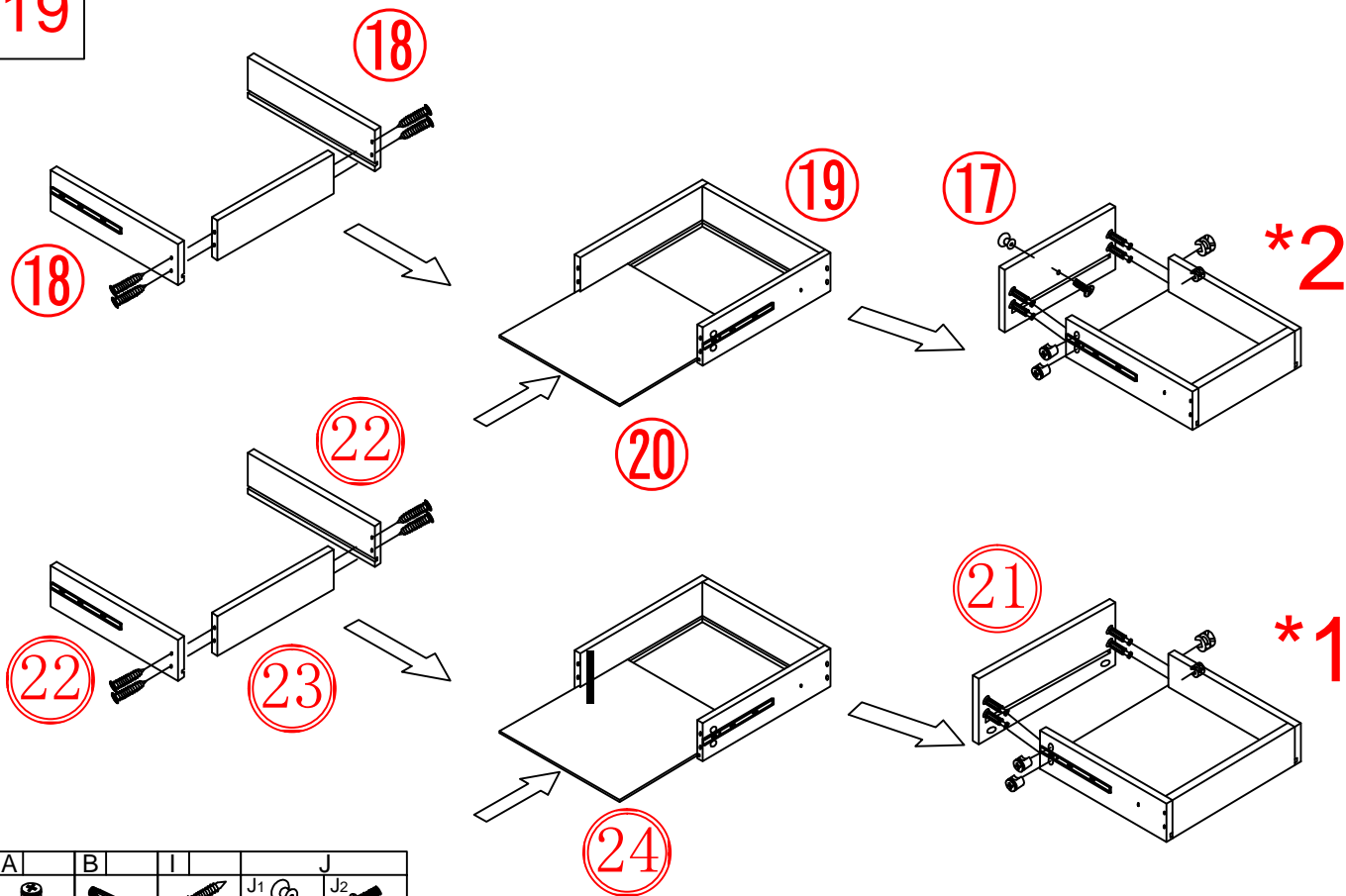
18



C

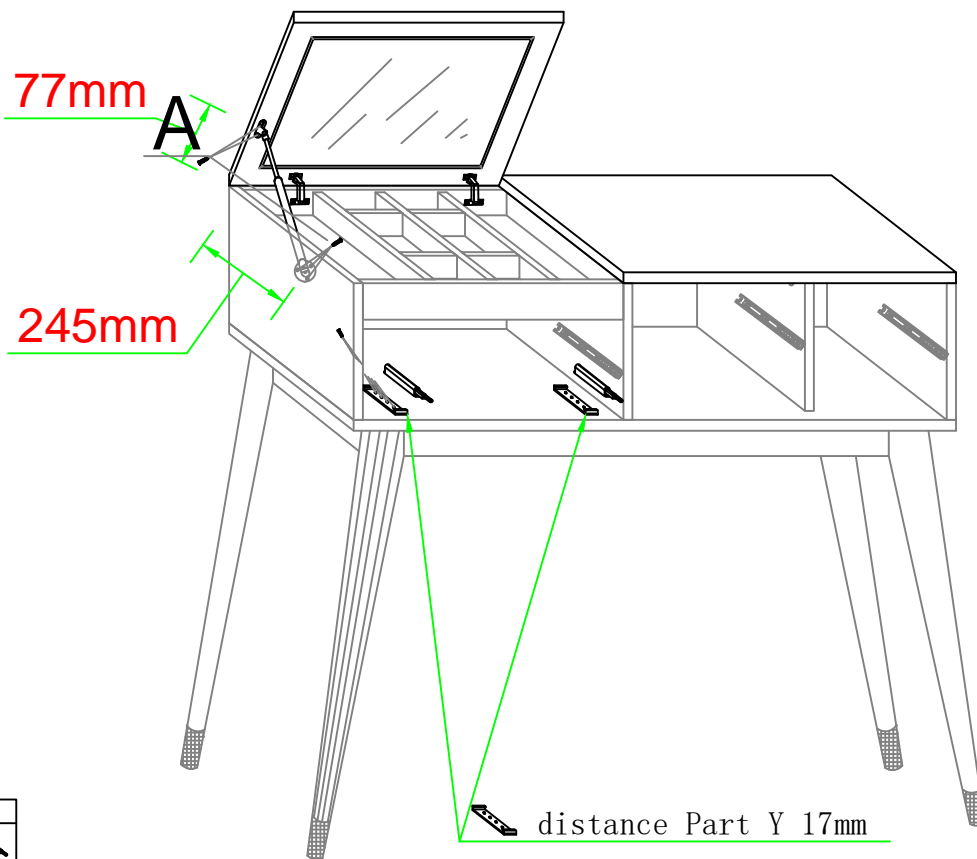
Ø3.5*14MM

19



A	B	I	J1	J2
Ø15*10	Ø6*28MM	Ø3.5*40MM		M4*18MM

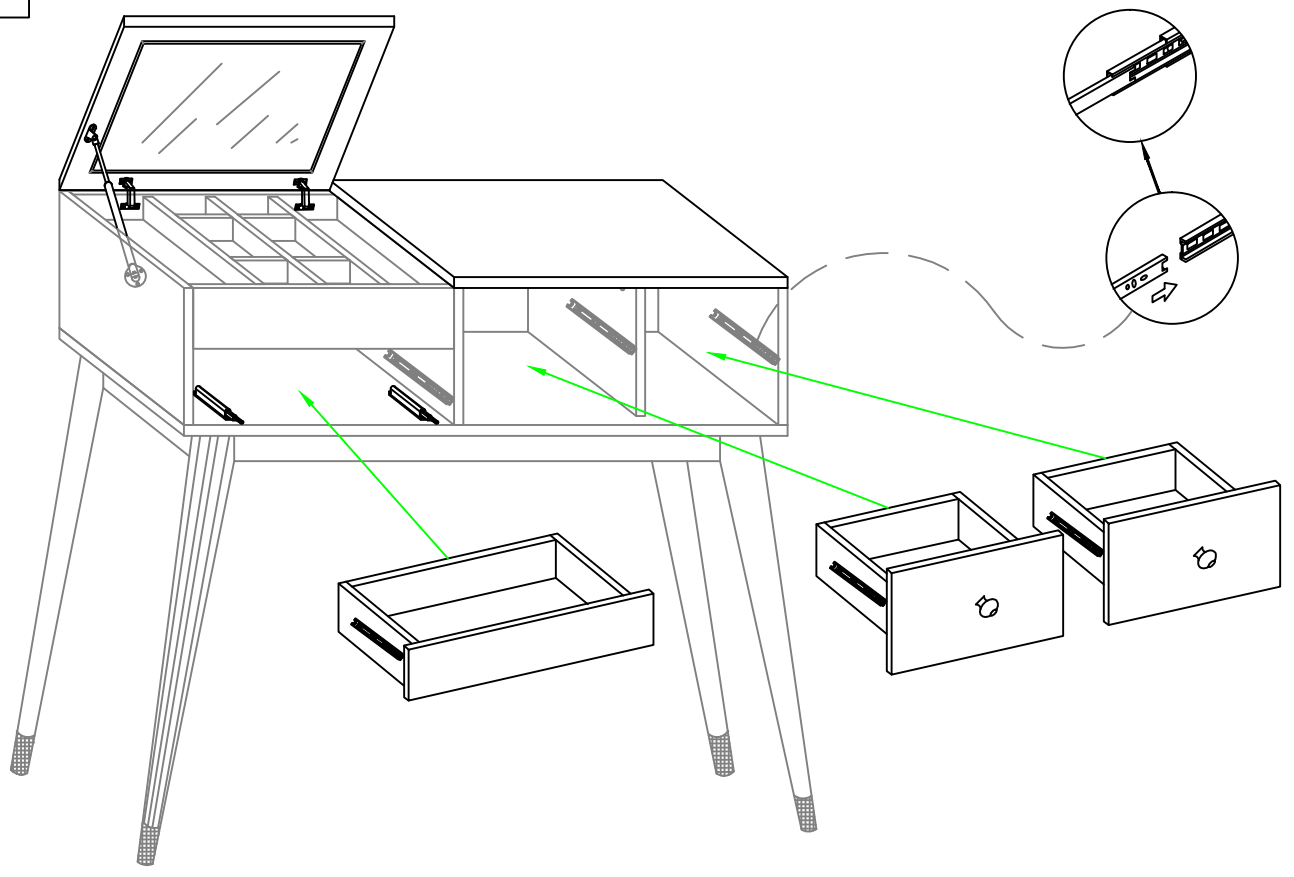
20



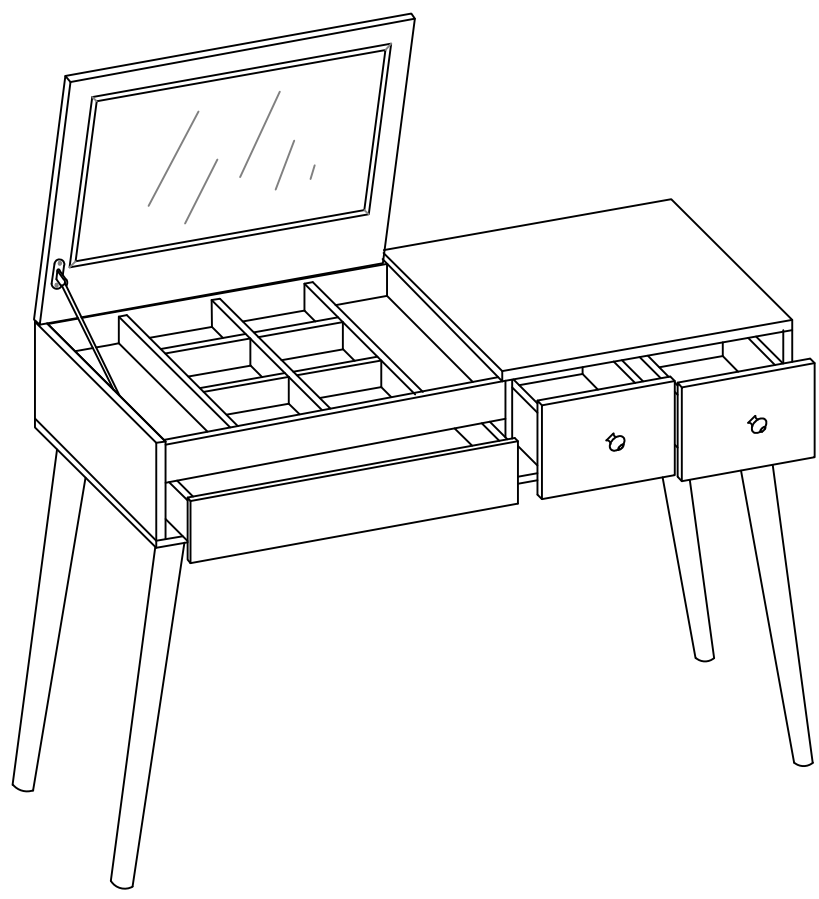
S	T

distance Part Y 17mm

21



22



OK