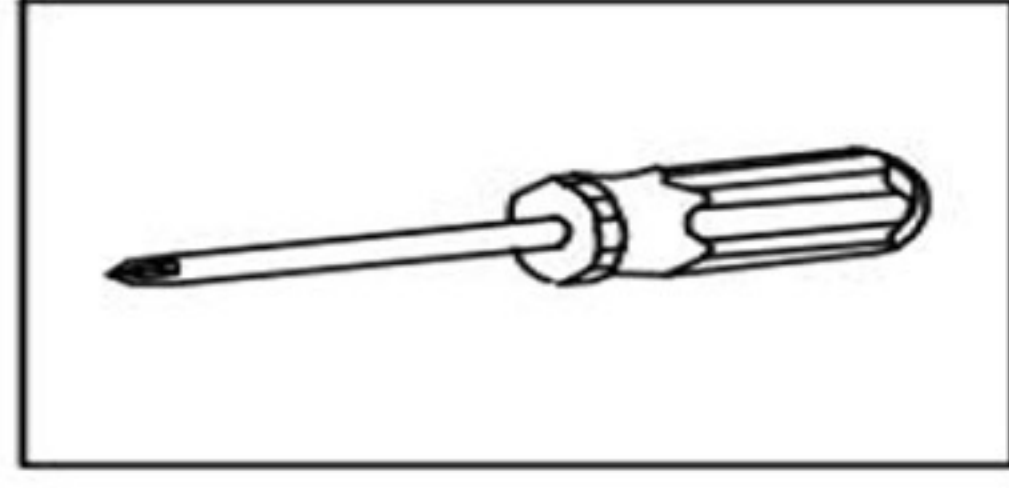
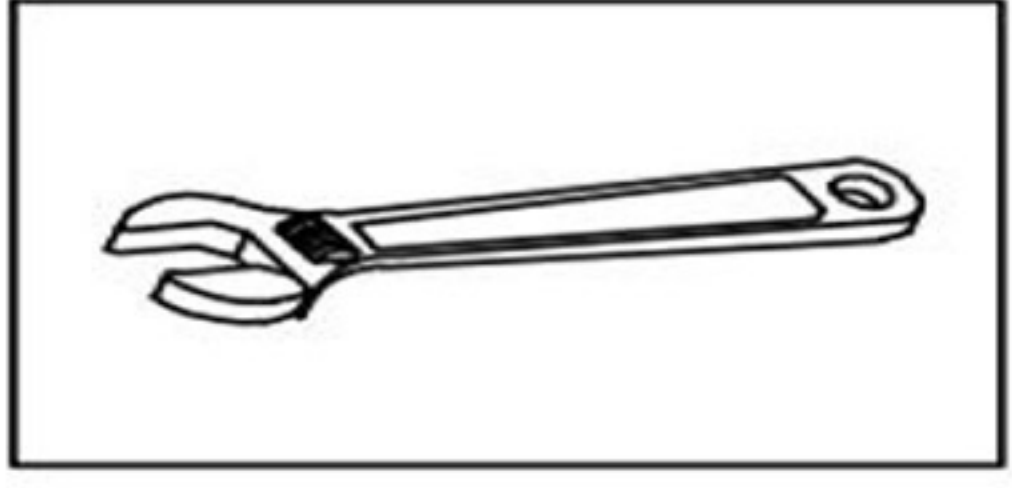


Accent Chair #J040183 Installation

INSTALLATION MANUAL Tools You Will Need:



Adjustable Wrench

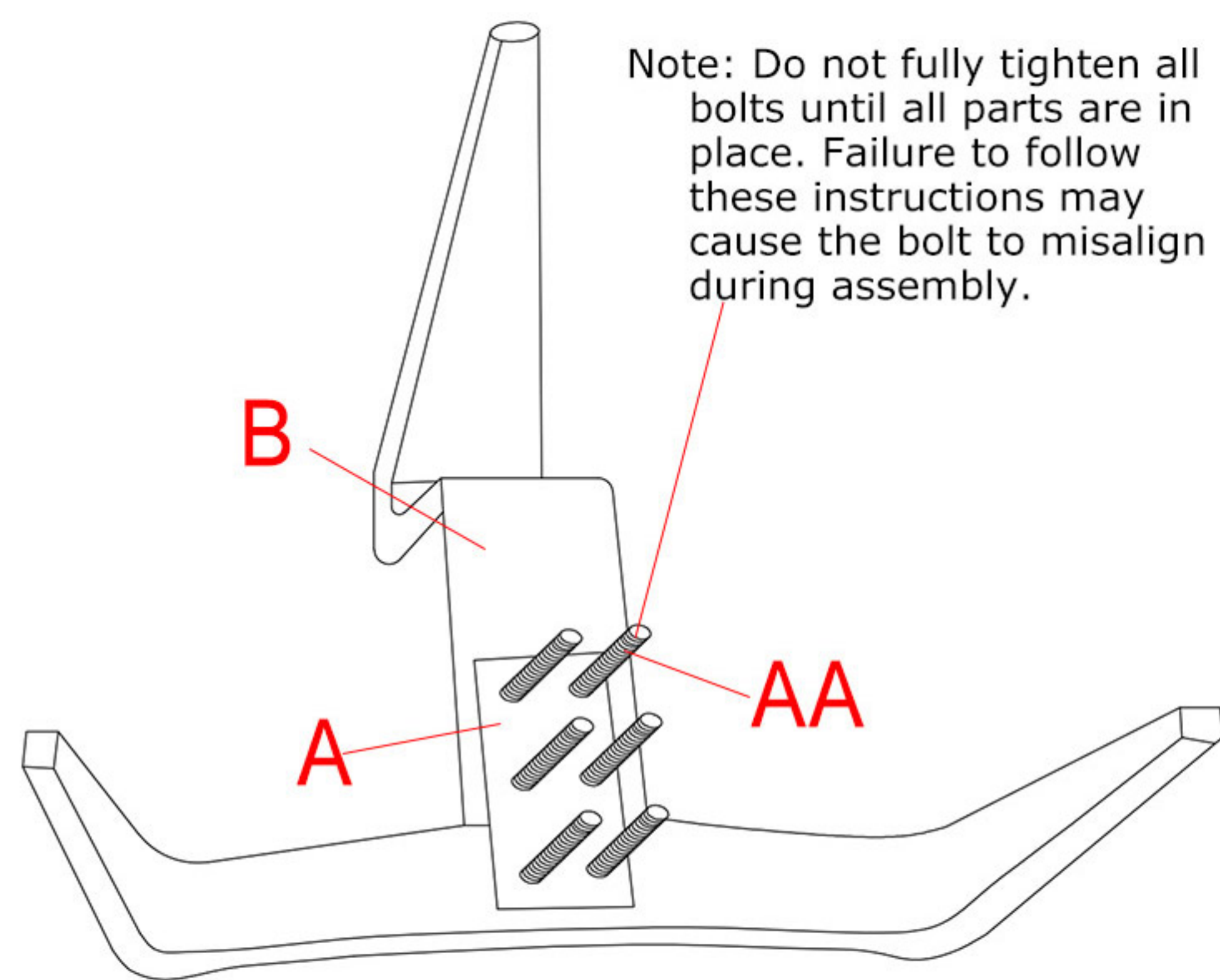
Philips Screwdriver

Before the Installation

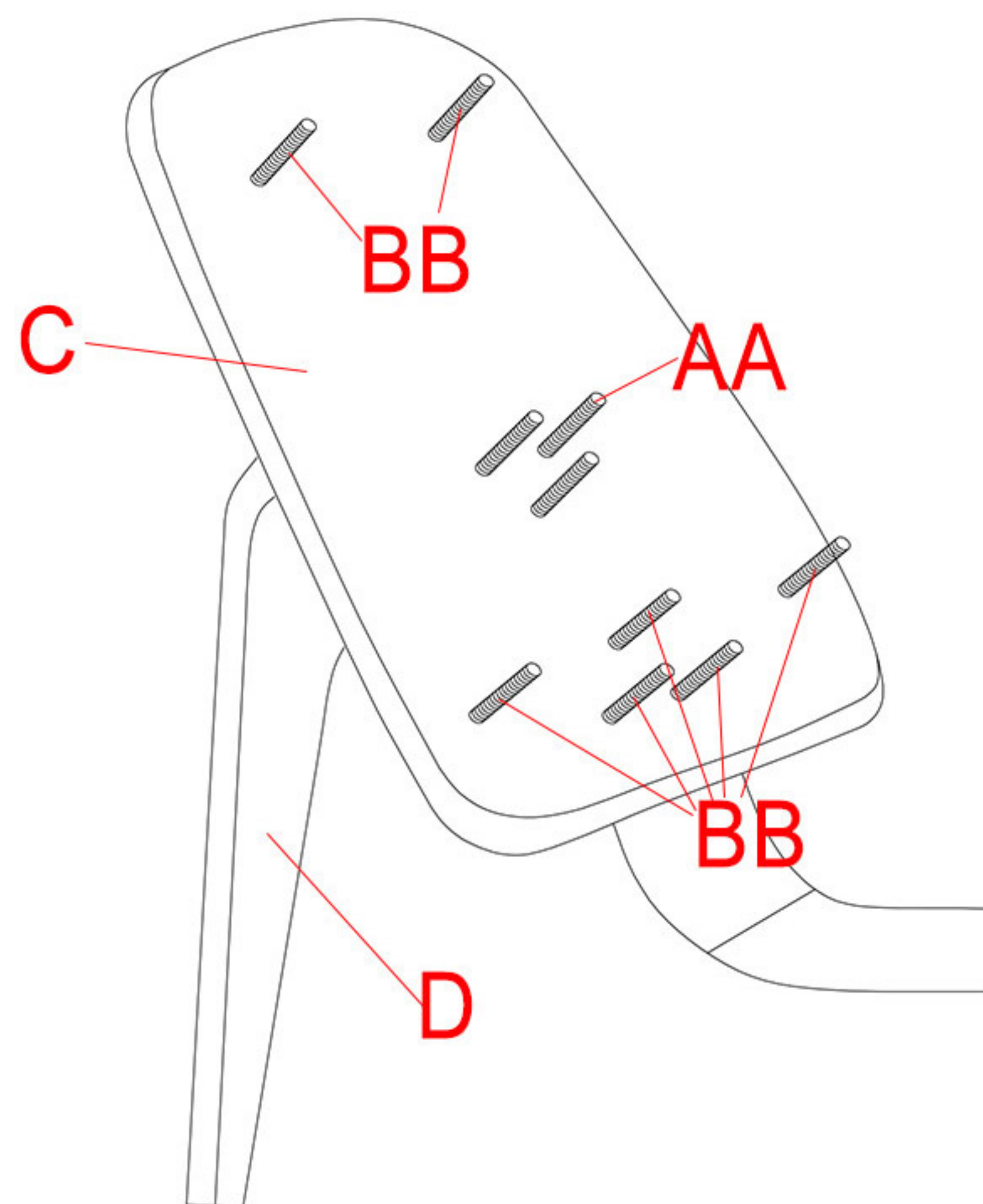
1. Do not throw away packing materials until assembly is complete for small parts may come loose inside the carton during shipment. If parts are missing, please contact us.
2. Assemble this item on a soft surface, such as carpet to protect the finish.
3. Periodically check to ensure that all connections are tight.
4. It is recommended that installation of the product be done by a qualified licensed furniture assembler.

Note: Do not fully tighten all screws until all parts are in place. Failure to follow these instructions may cause the screws to misalign during assemble.

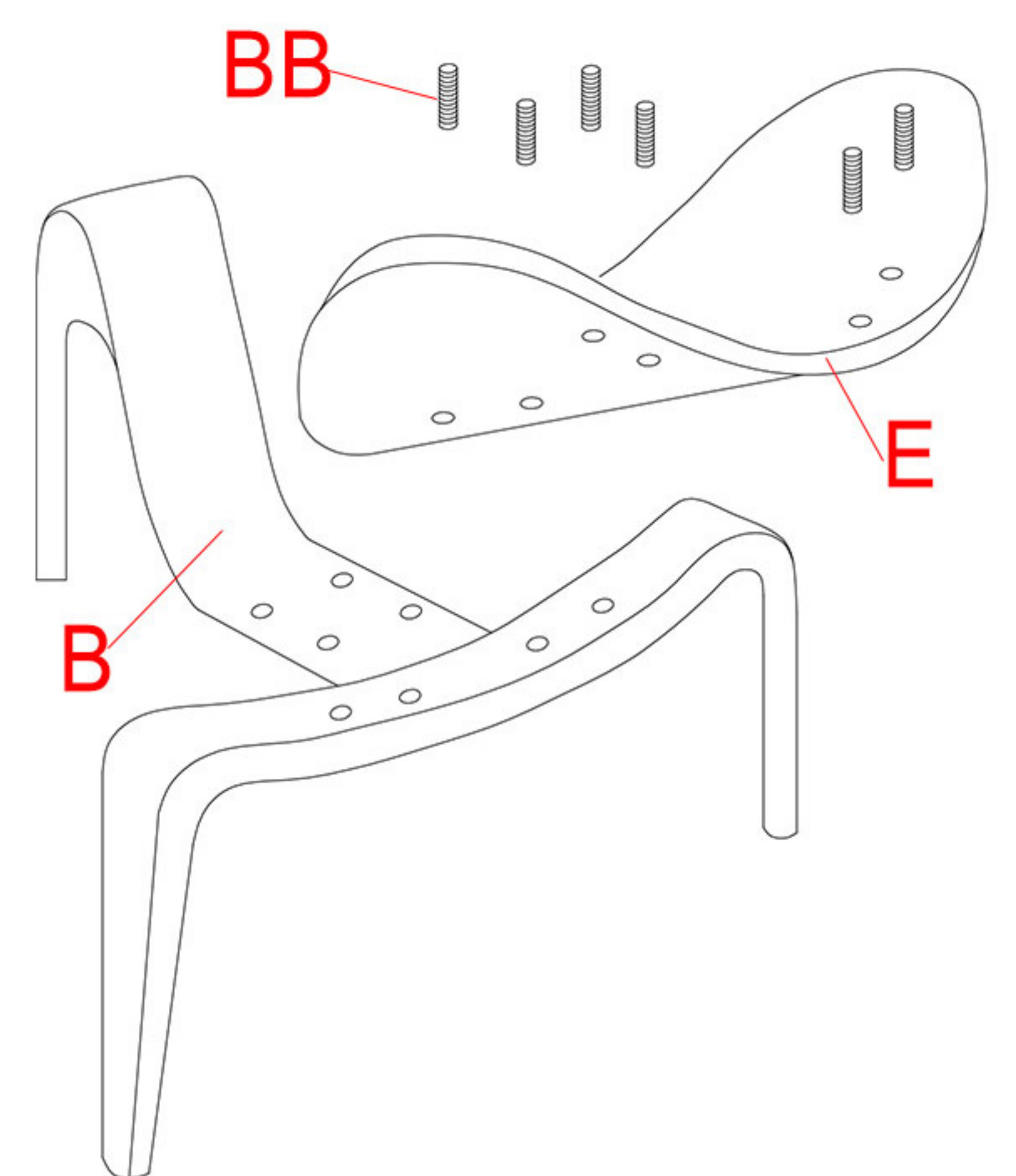
Installation Guide



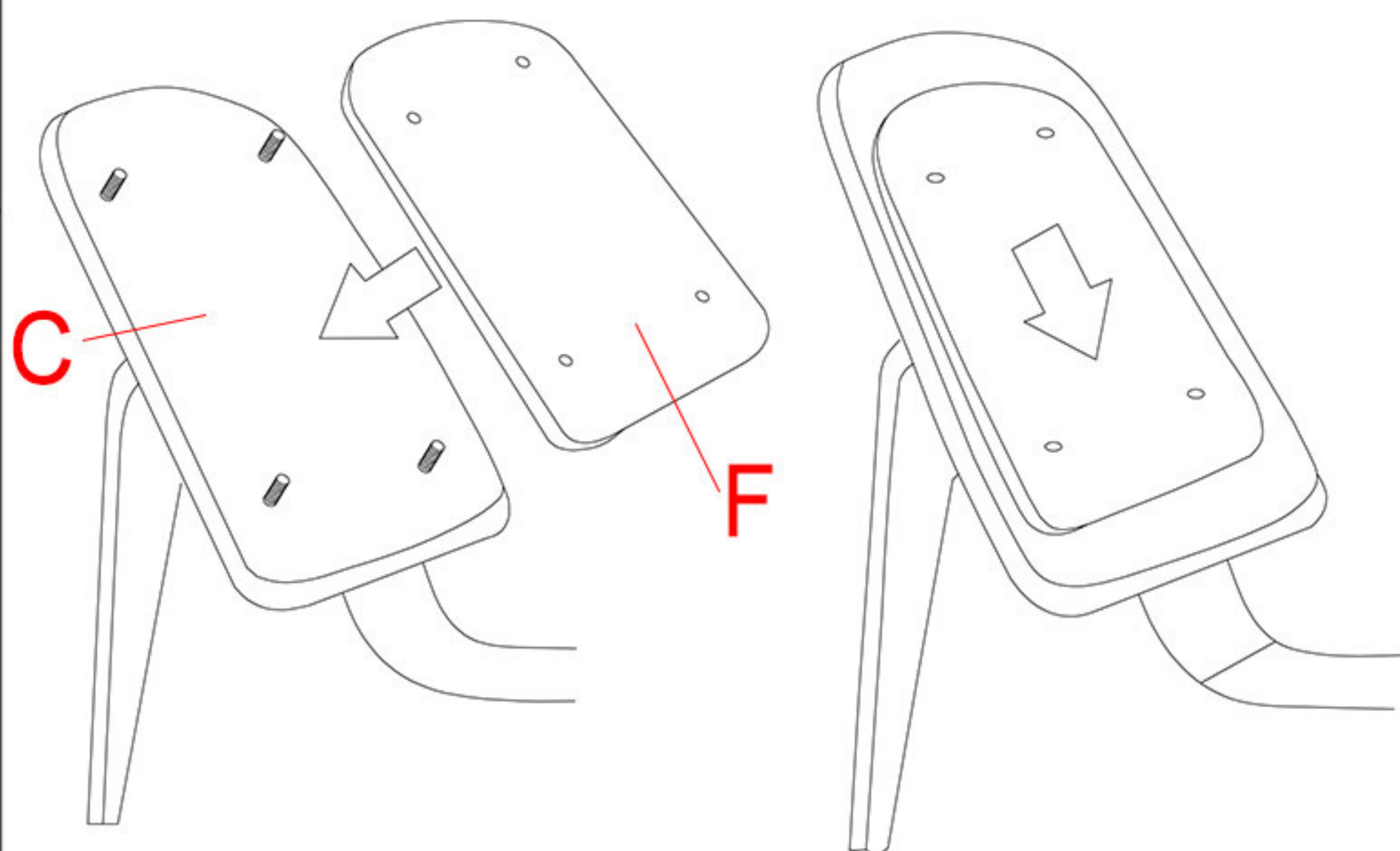
1. Place the wood frame (B) upside down on a clean surface. Tighten metal plate (A) to the wood frame with short screws (AA).



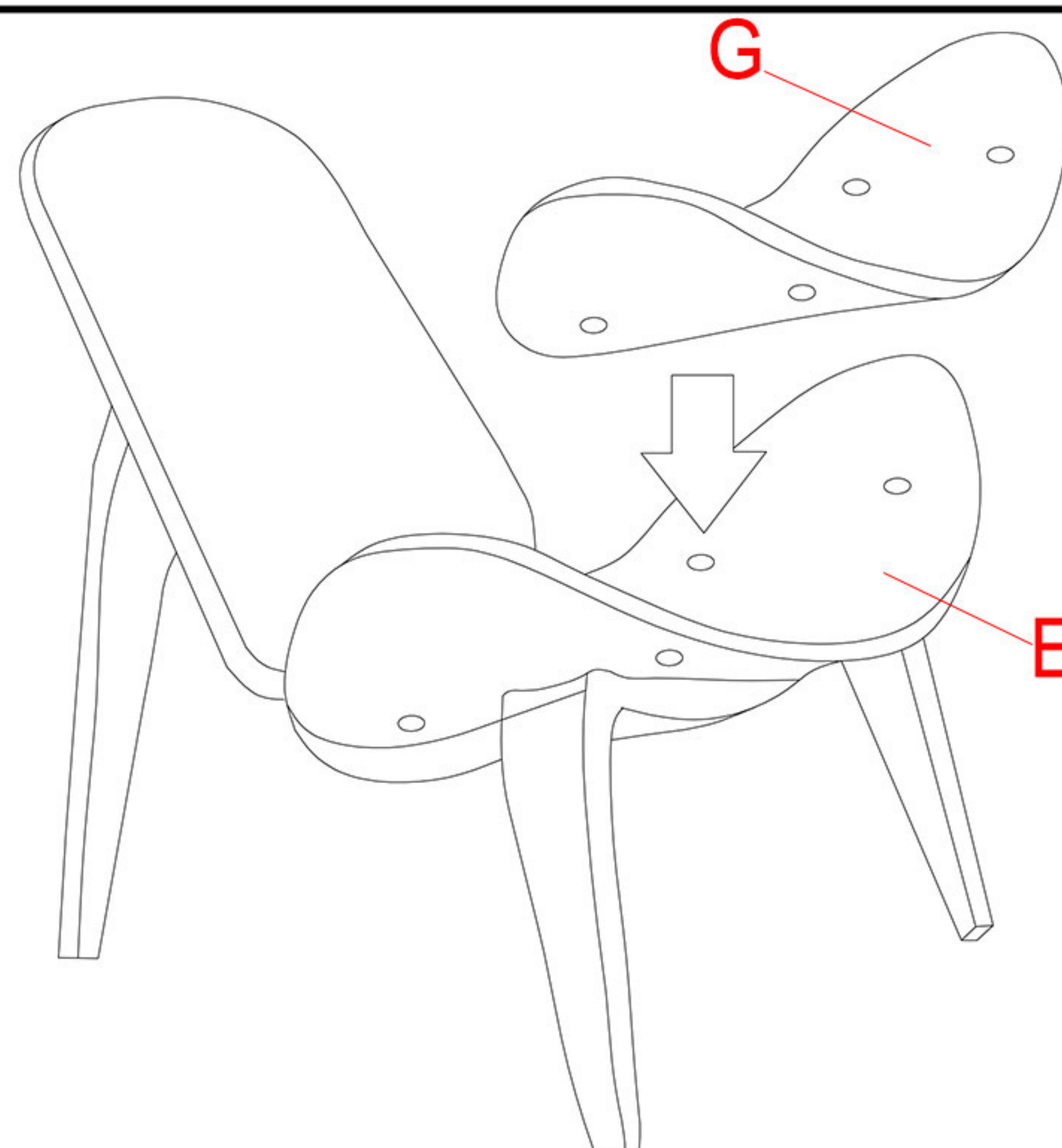
2. Tighten wood backrest (C) to the rear leg (D) with short screws (AA) and long screws (BB). Then screw the long screws (BB) into the holes around the wood backrest (C) and please note that do not screw tightly, or the wood backrest (C) would be perforated.



3. Align the seat board (E) with mounting hole onto the wood frame (B). Then fix the seat board (E) to the wood frame (B) with long screws (BB) tightly.



4. Align and push leather board (F) onto the wood backrest (C) until it fits into the screws.



5. Align and fix the leather cushion (G) to the seat board (E), and then tighten with short screws (AA) underneath the seat board (E).