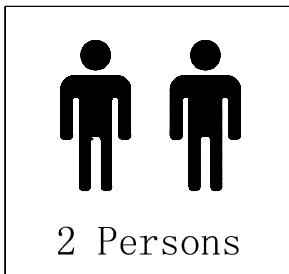
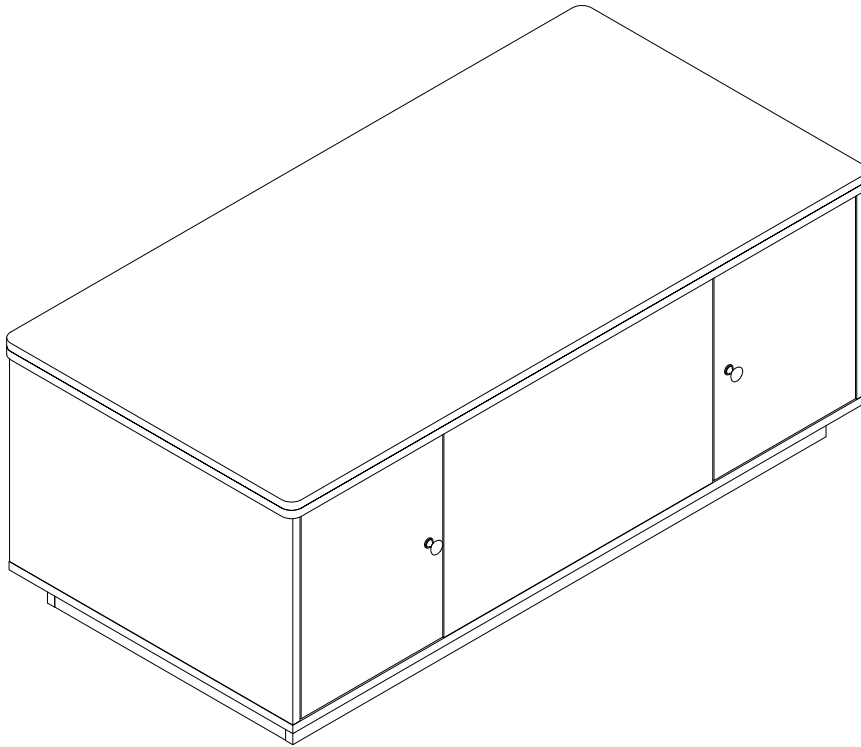


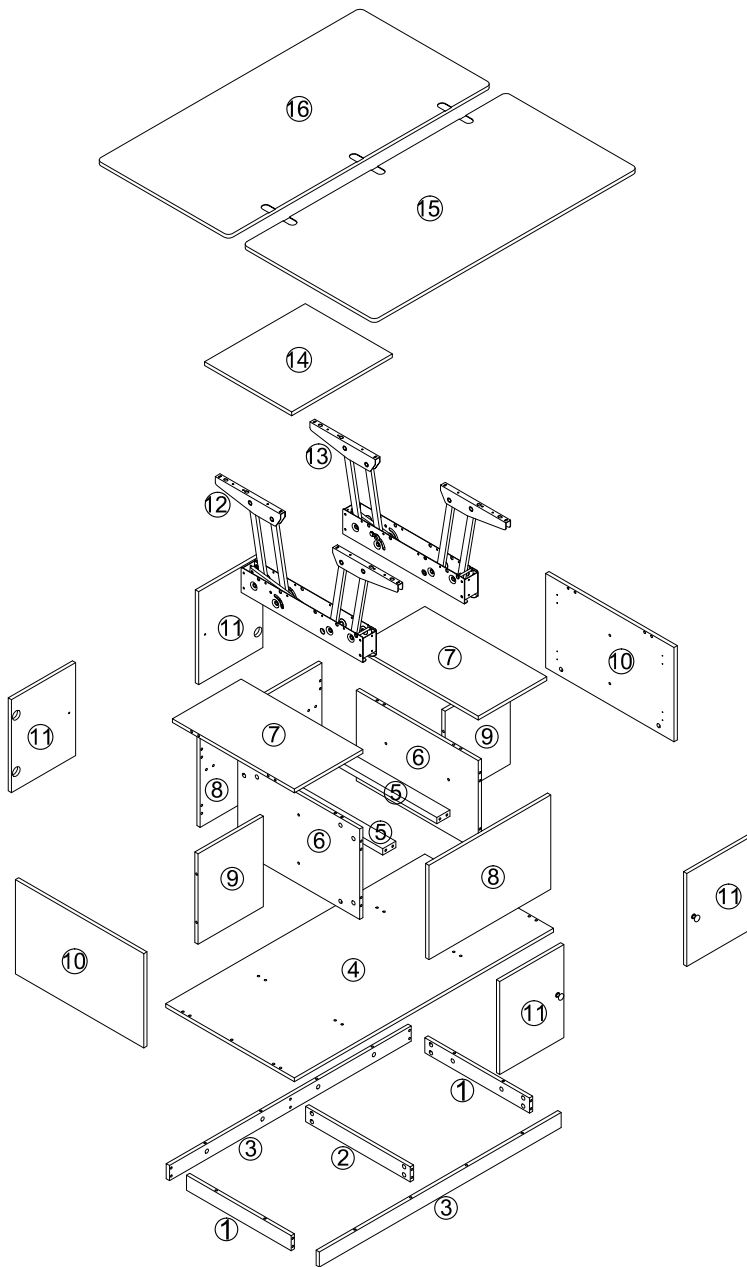
118#



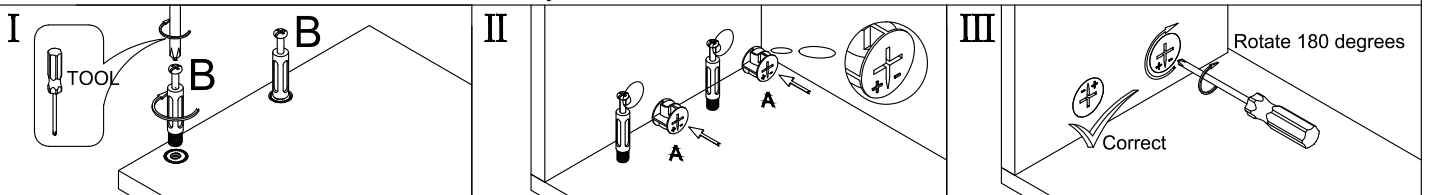
W1210*D650*H480MM





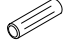
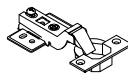





Installation Instructions

Notes: Don't tighten screws completely at first, just in case parts were assembled wrongly and need disassemble. Tighten screws at last when all parts are put together.

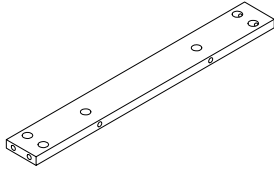


Disassembly and installation of accessories



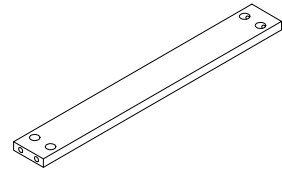
A 68PCS  Ø15*10mm	B 68PCS  Ø6*28mm	C 82PCS  Ø3.5*14mm	D 3PCS 	E 26PCS  Ø8*30mm	F 8PCS 	G G1  4PCS G2  4PCS M4*18mm
H 8PCS  Ø6*12mm	I  1PC  1PC M4mm					

1



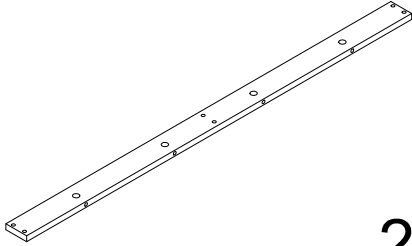
2PCS

2



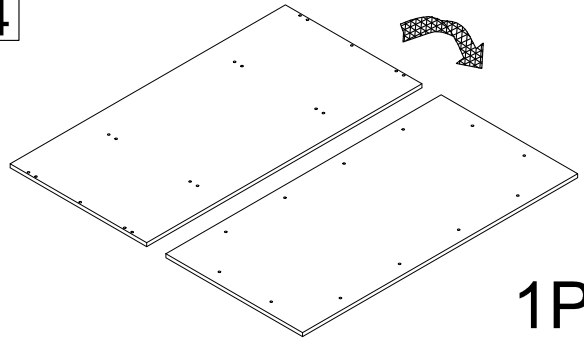
1PC

3



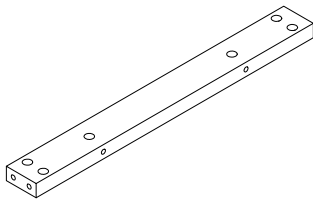
2PCS

4



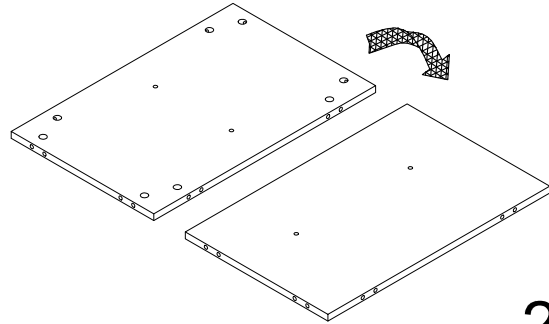
1PC

5



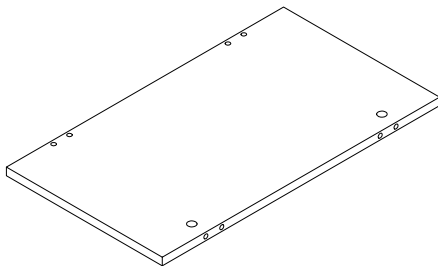
2PCS

6



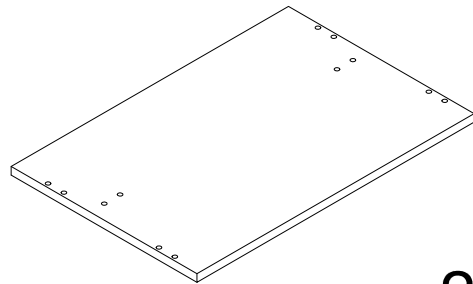
2PCS

7



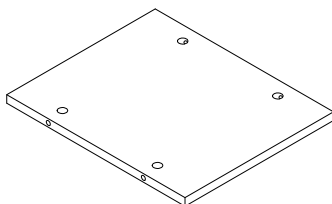
2PCS

8



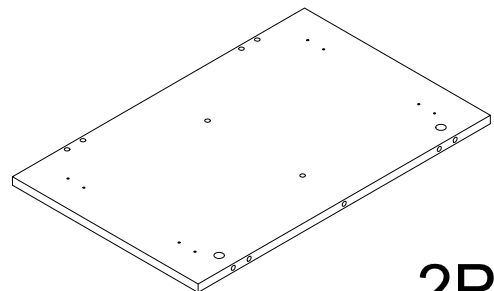
2PCS

9



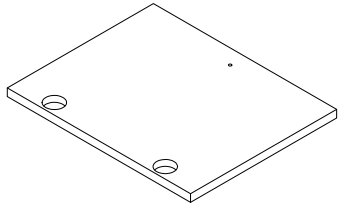
2PCS

10



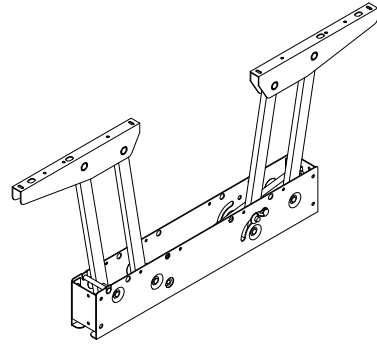
2PCS

11



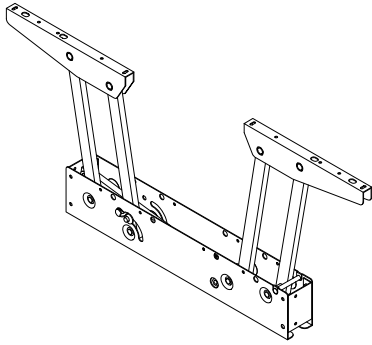
4PCS

12



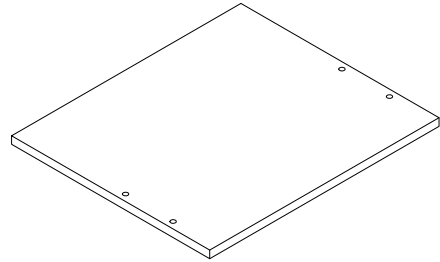
1PC

13



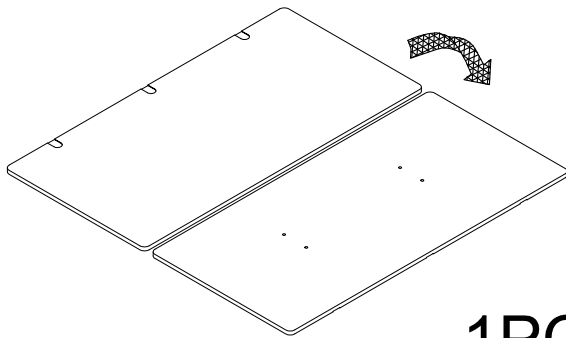
1PC

14



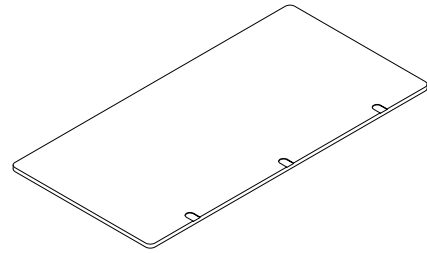
1PC

15



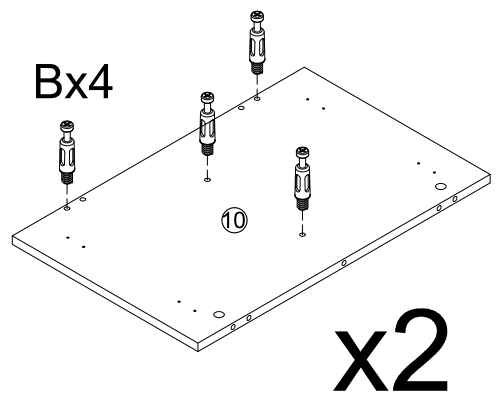
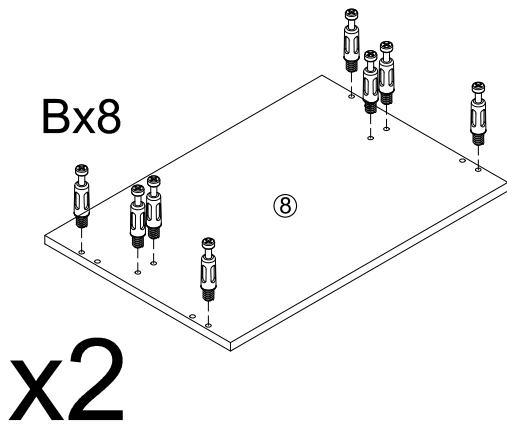
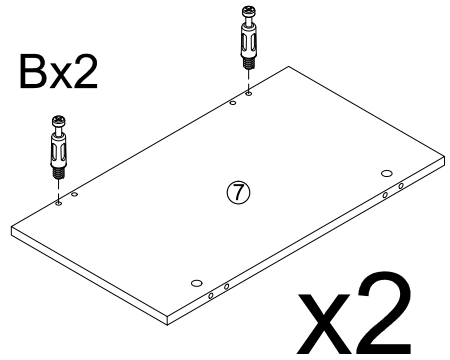
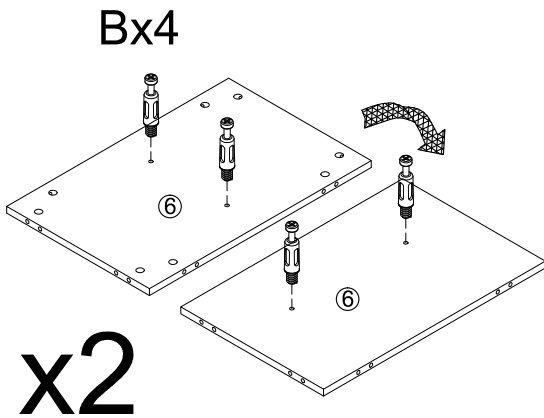
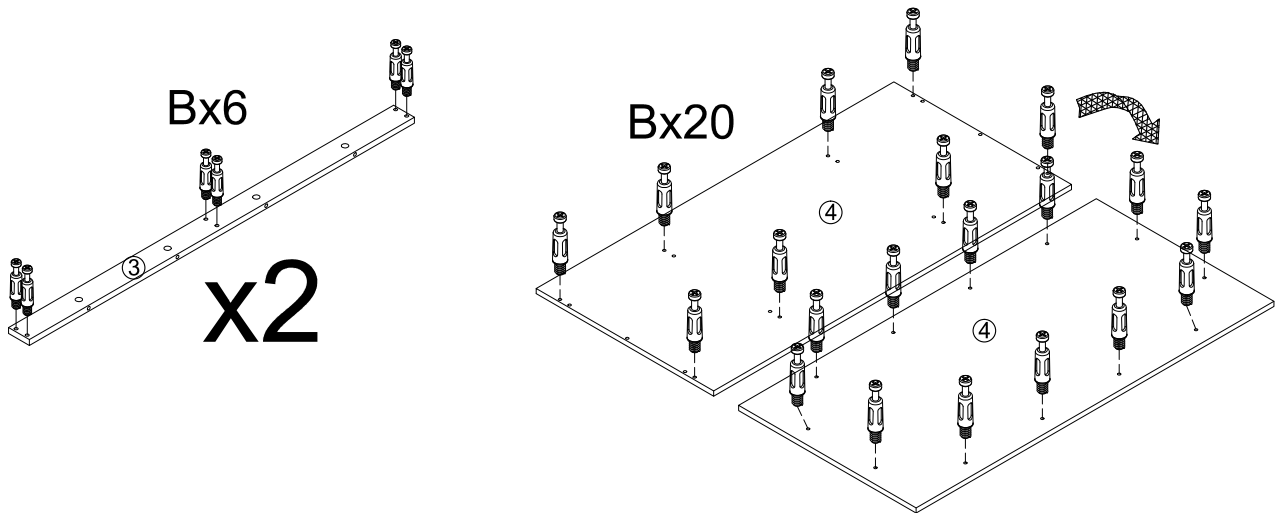
1PC


16



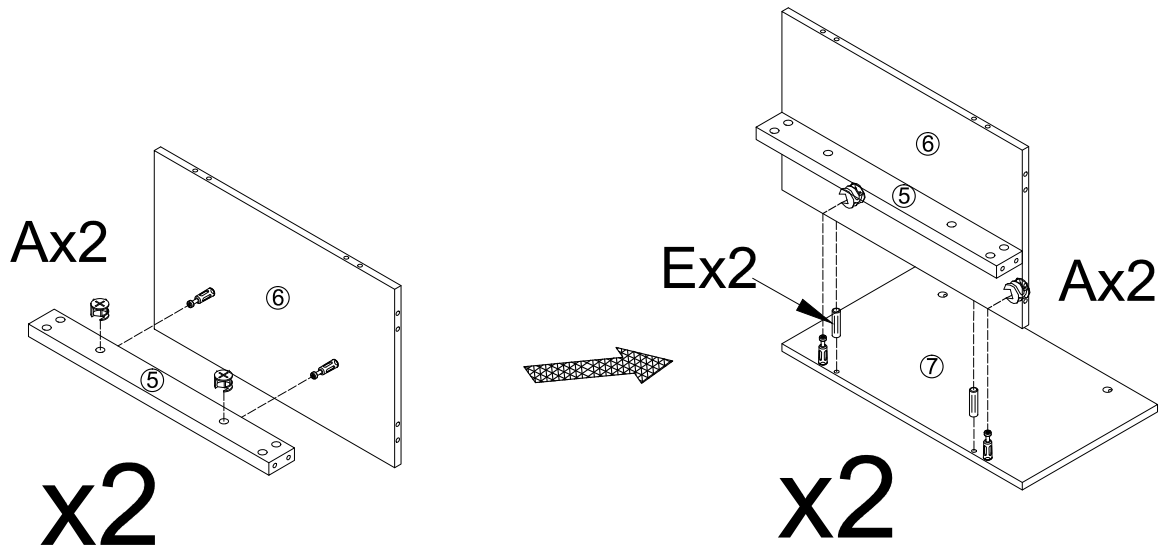
1PC


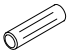
1



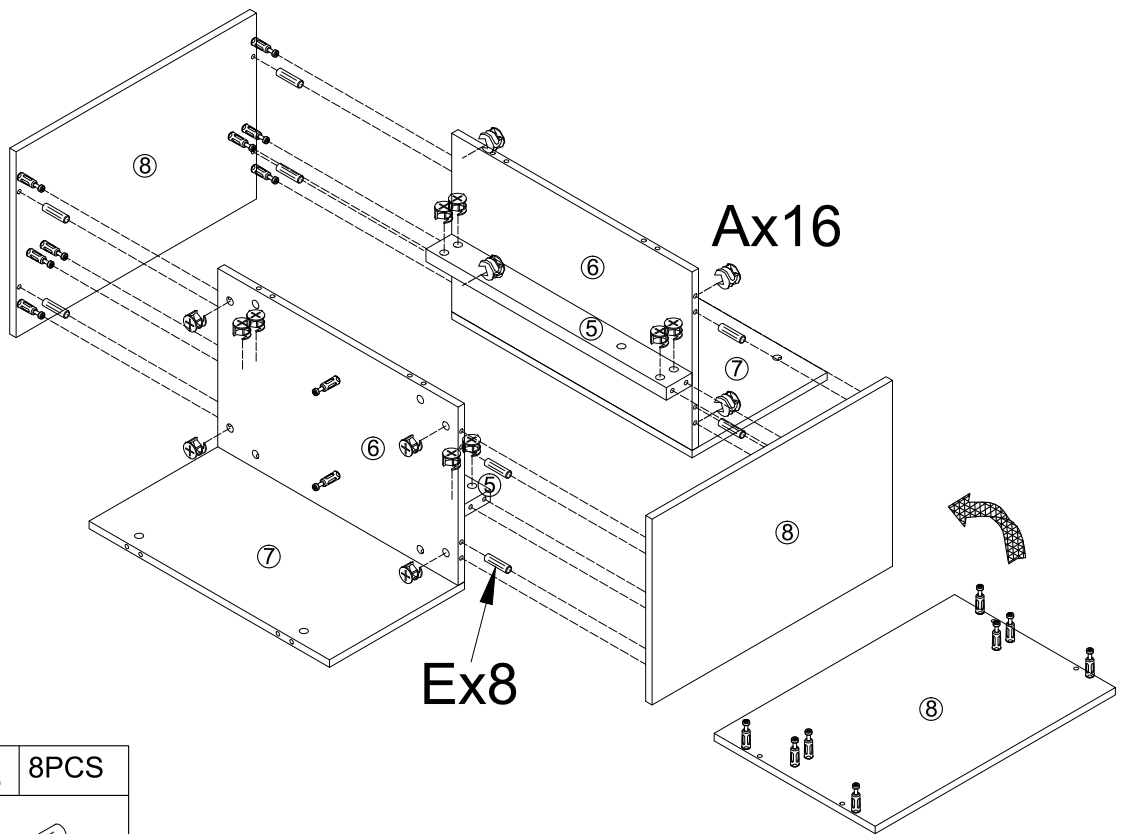
B	68PCS
	
φ6*28mm	


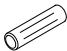
2



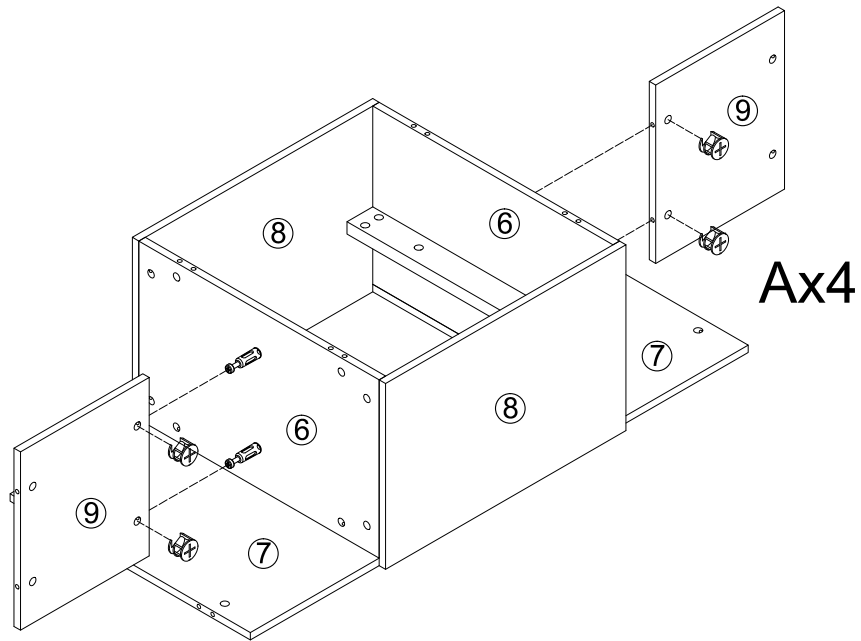
A	8PCS	E	4PCS
			
ø15*10mm		ø8*30mm	


3



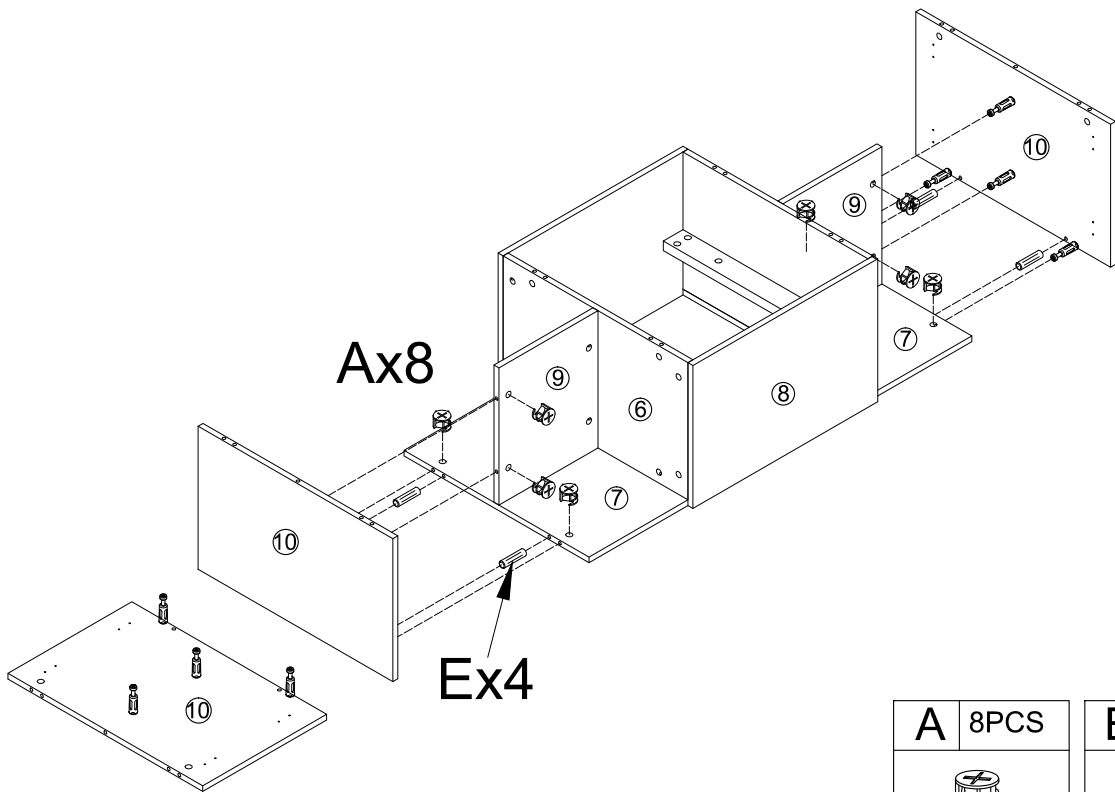
A	16PCS	E	8PCS
			
ø15*10mm		ø8*30mm	


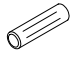
4



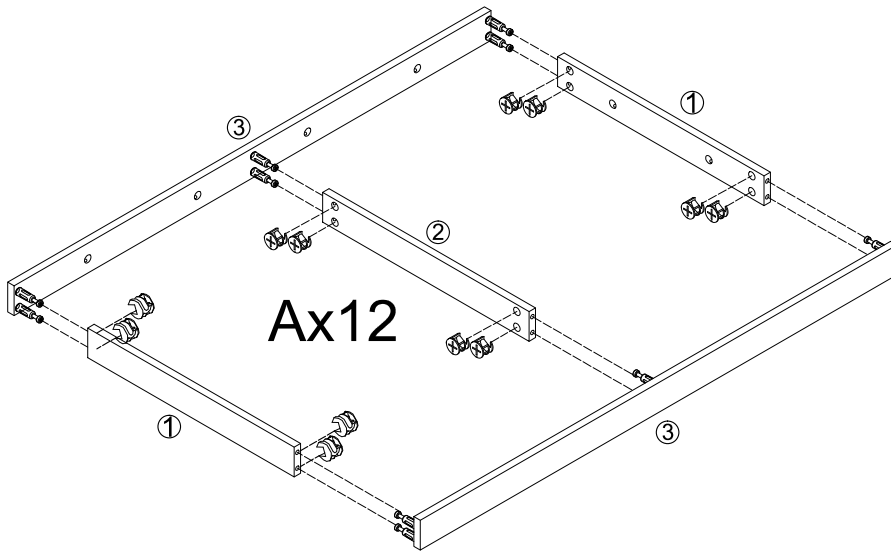
A	4PCS
	
ø15*10mm	


5



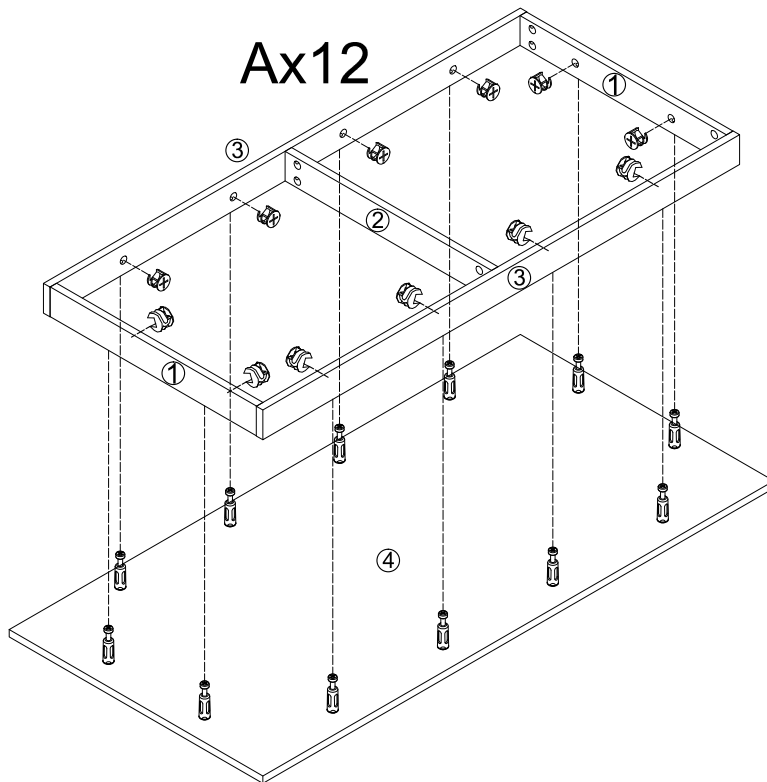
A	8PCS	E	4PCS
			
ø15*10mm		ø8*30mm	


6



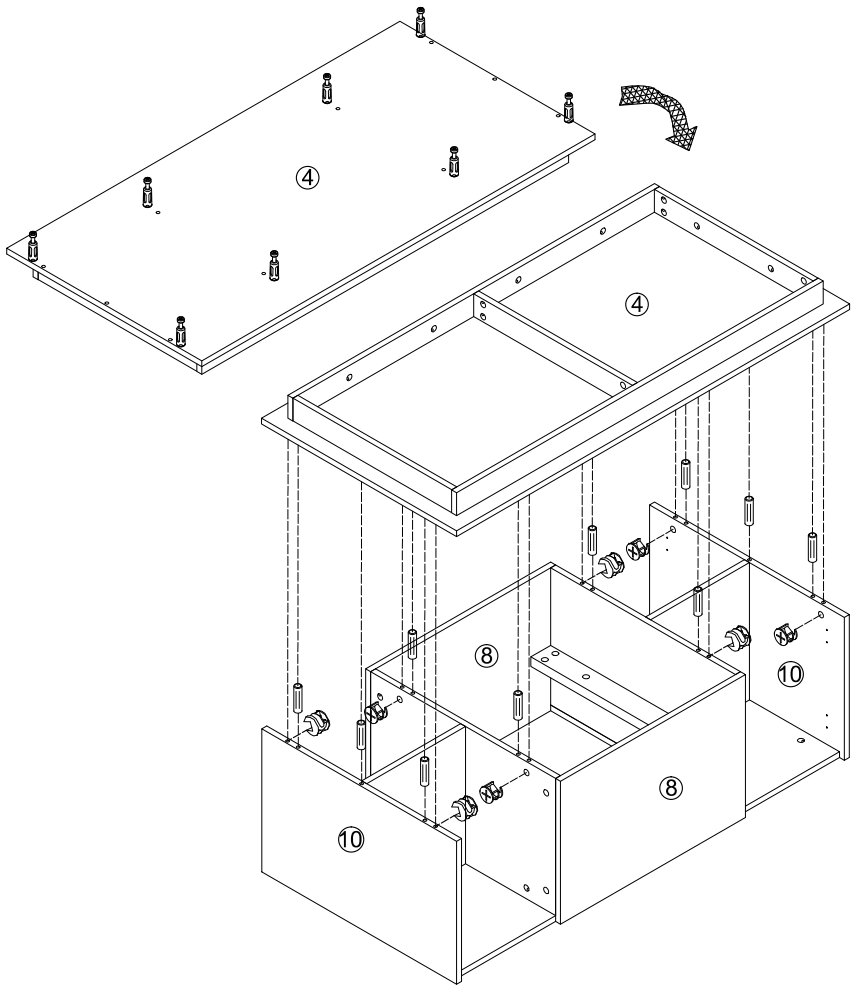
A	12PCS
	
ø15*10mm	


7




A	12PCS
	
ø15*10mm	

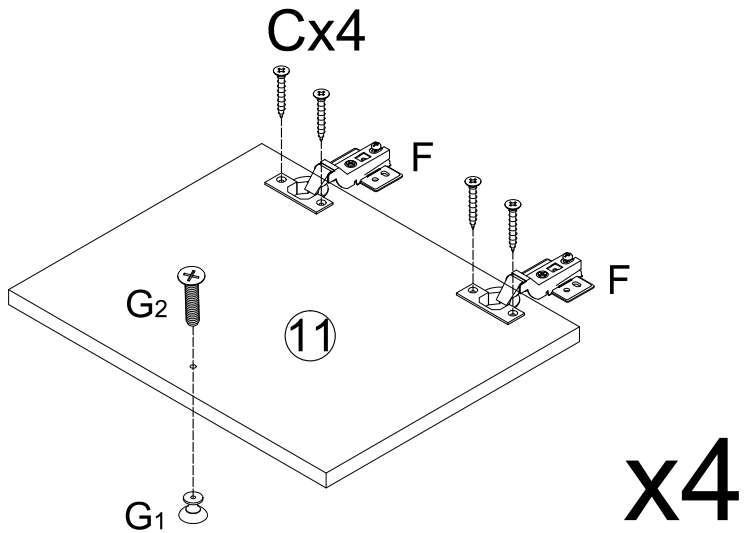
8





A	8PCS
	
ø15*10mm	



E	10PCS
	
ø8*30mm	

9

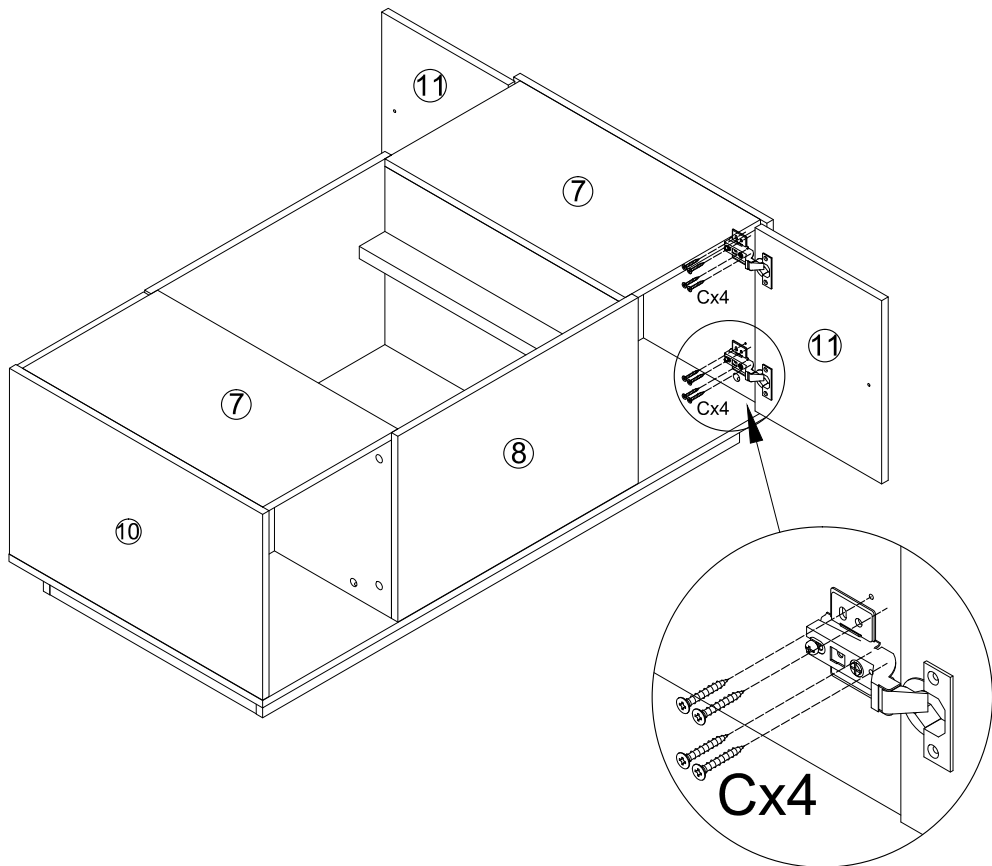



C	16PCS
	
ø3.5*14mm	

F	8PCS
	

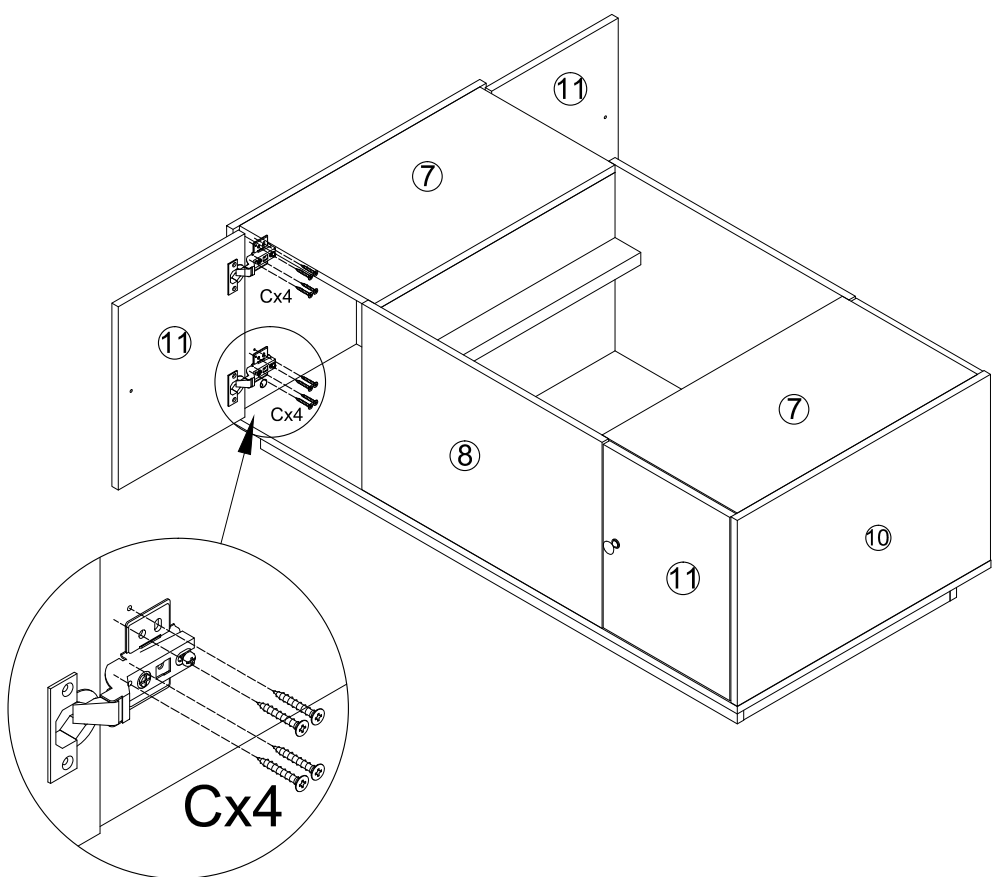
G	
G1	G2
	
4PCS	4PCS
M4*18mm	


10



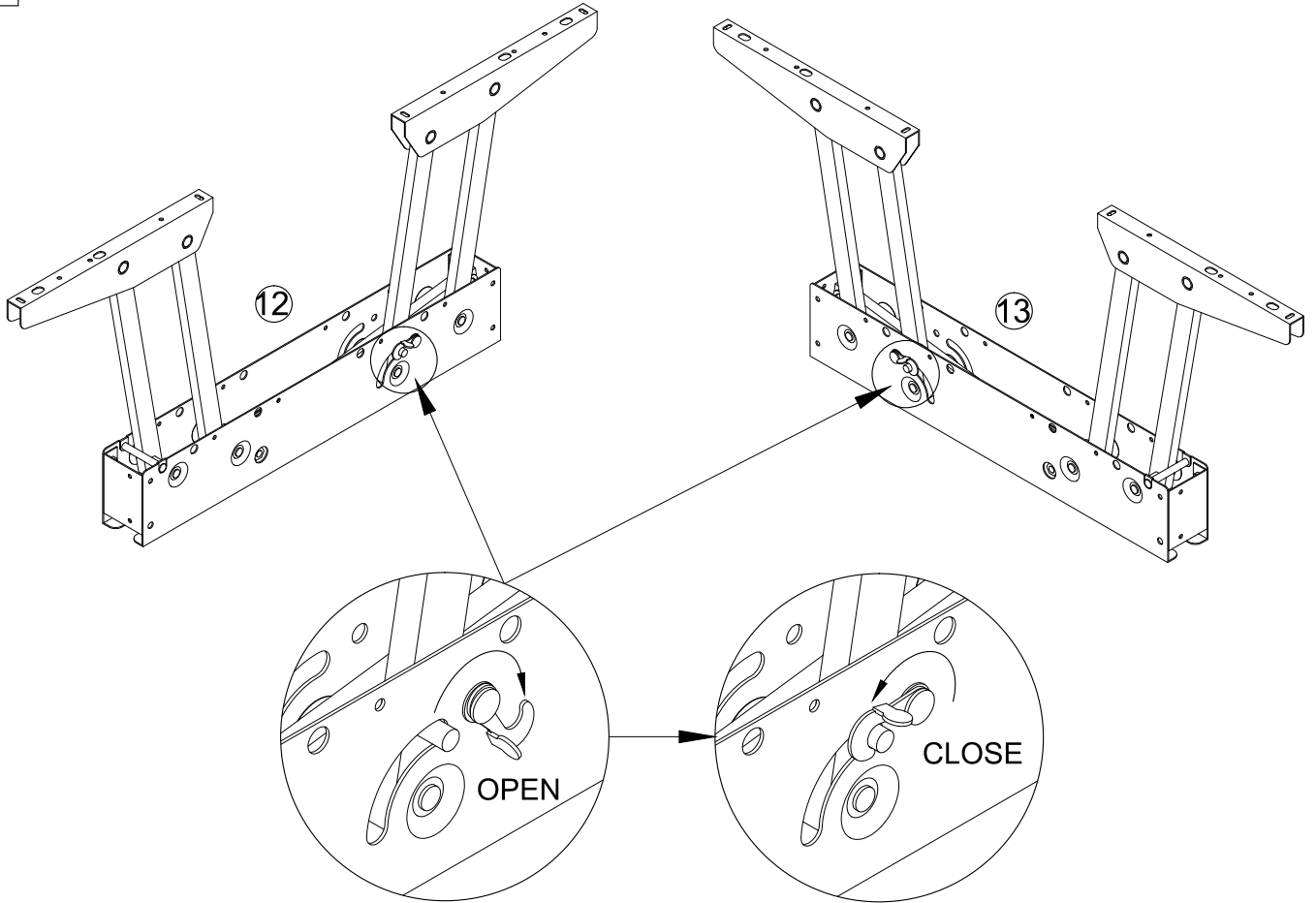
C	16PCS
	
ø3.5*14mm	

11

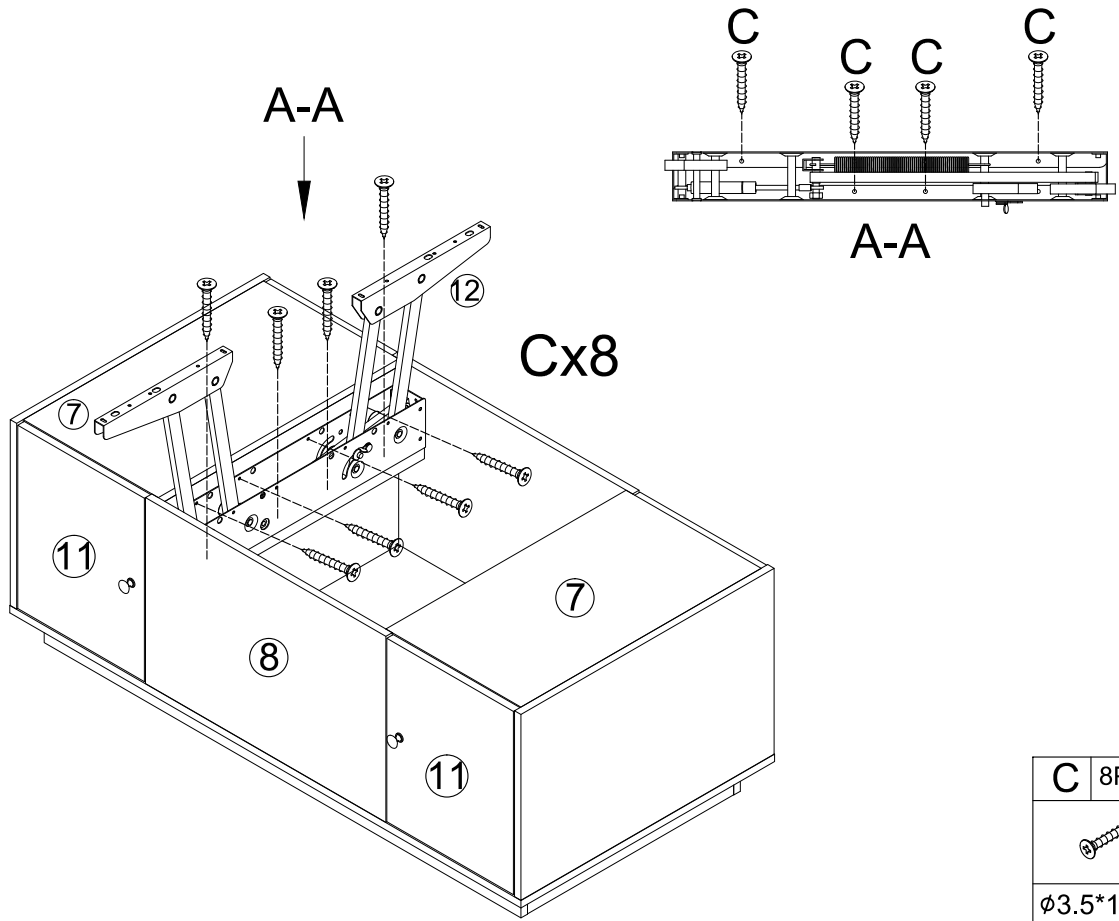


C	16PCS
	
ø3.5*14mm	

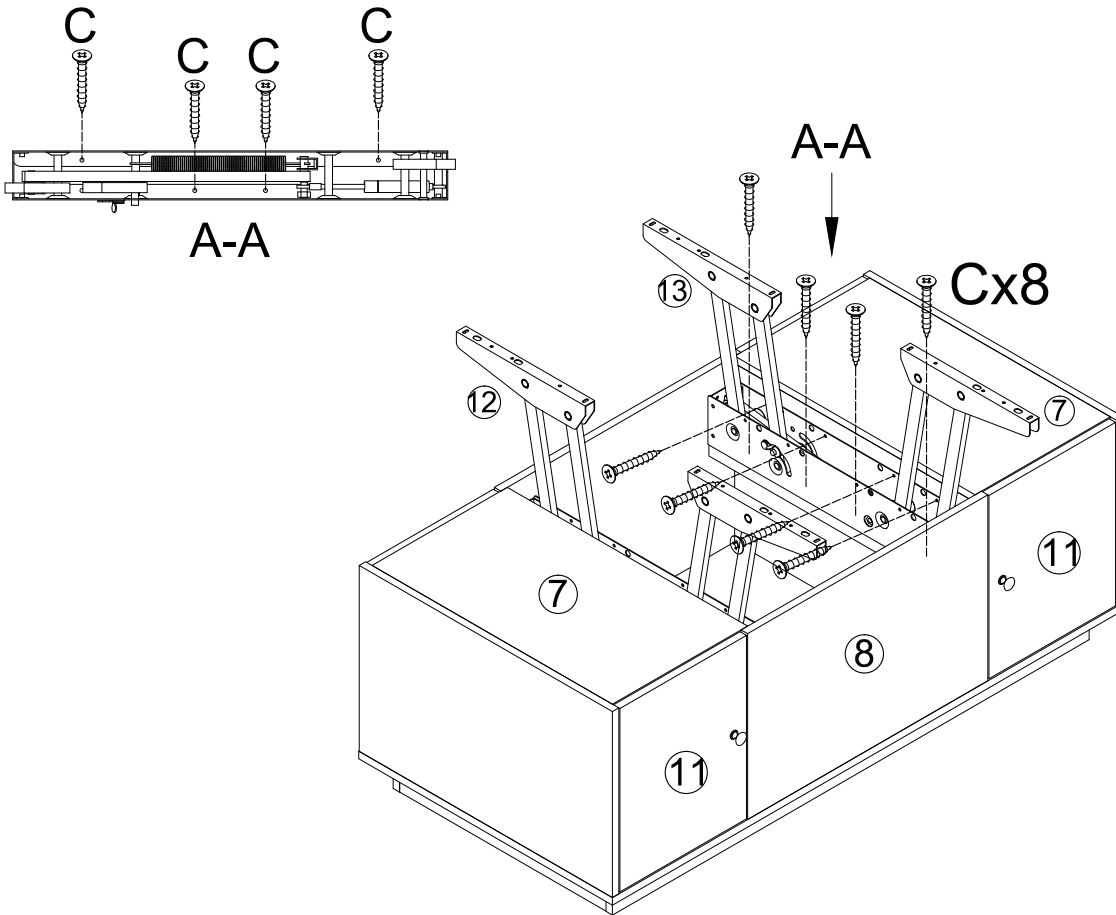
12




13

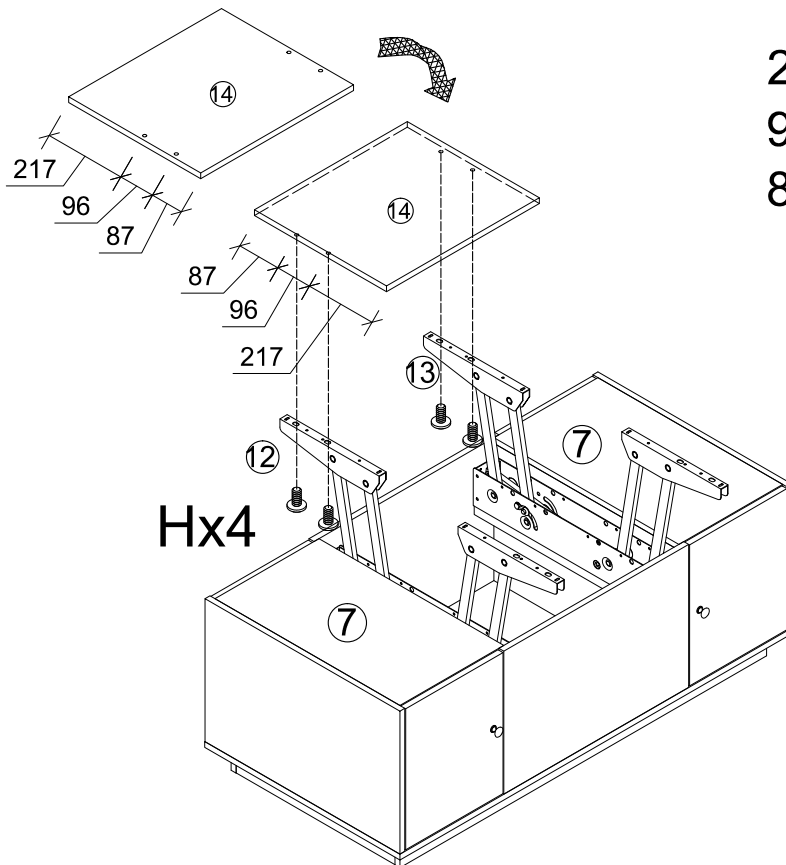


14




C	8PCS
	
$\phi 3.5 \times 14 \text{mm}$	

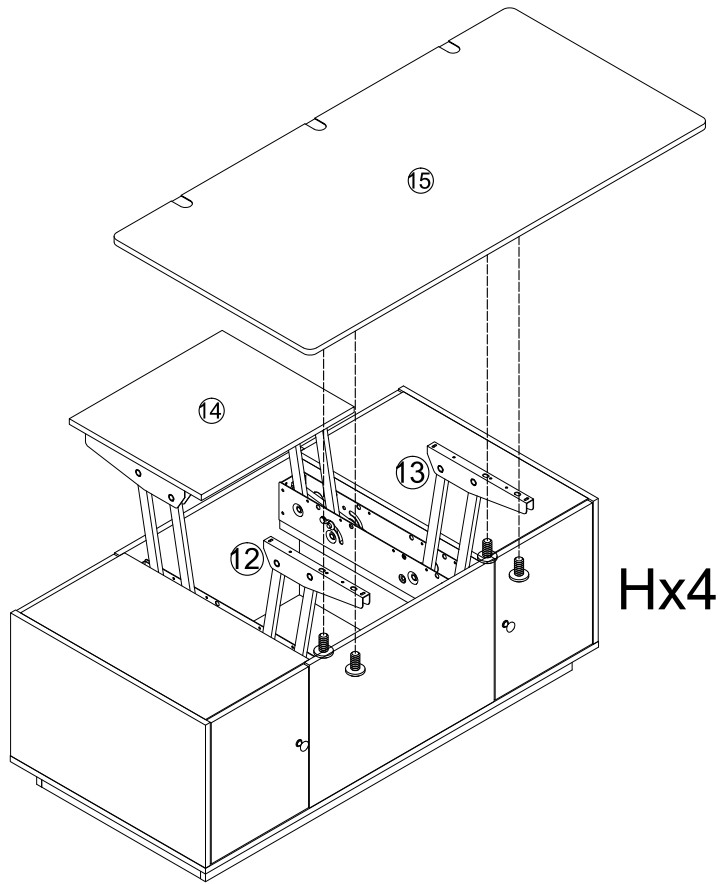
15




217mm=8.54"
 96mm=3.78"
 87mm=3.42"

H	4PCS
	
$\phi 6 \times 12 \text{mm}$	

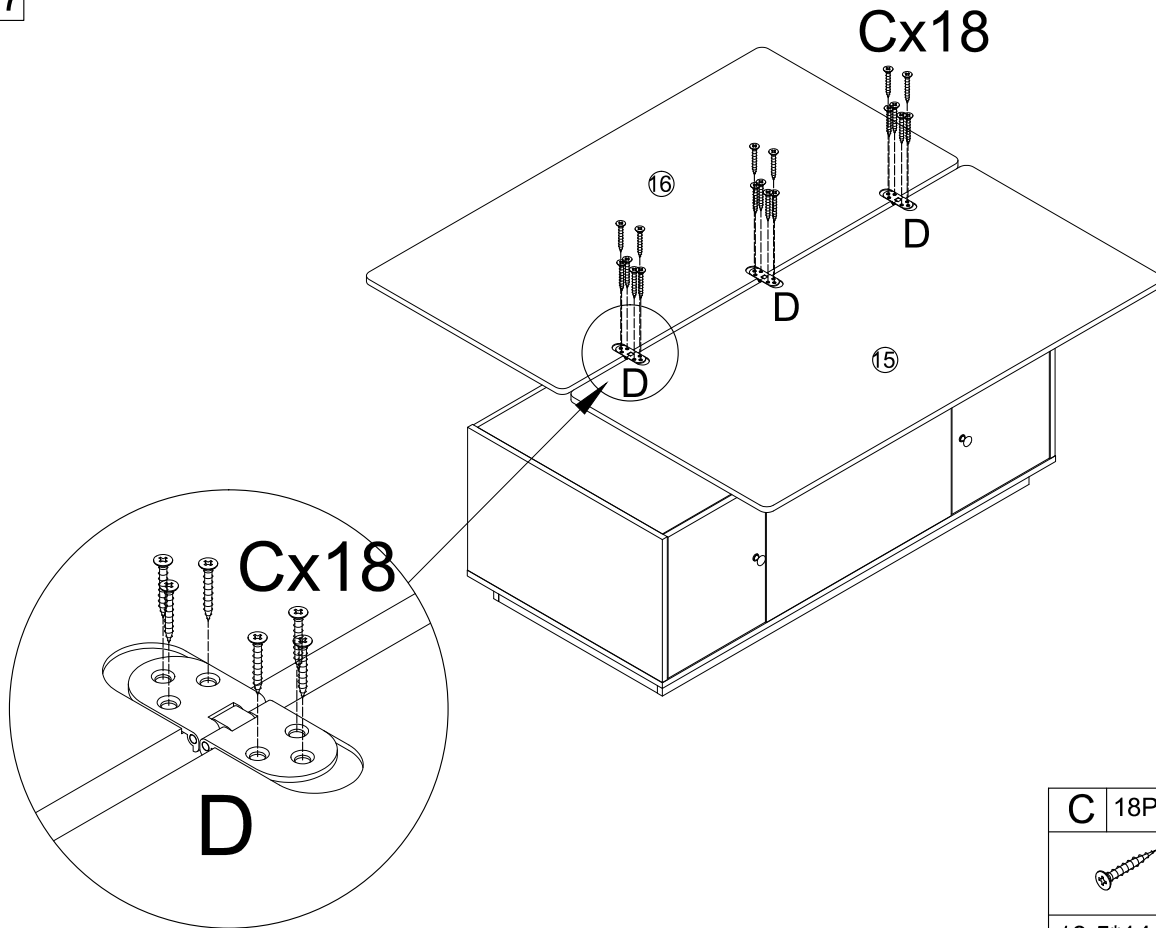
16



Hx4

H	4PCS
	
ø6*12mm	



17



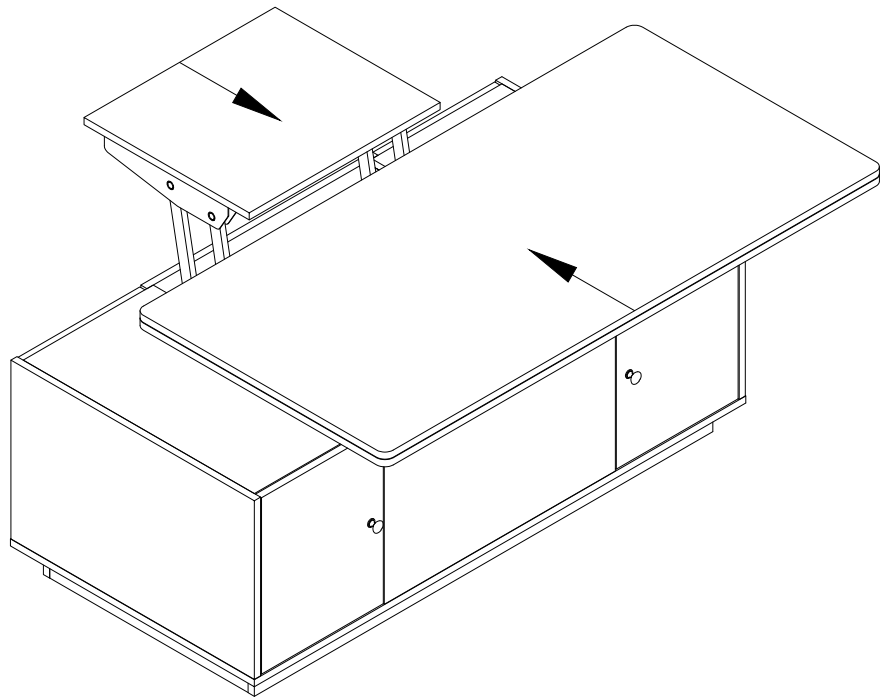
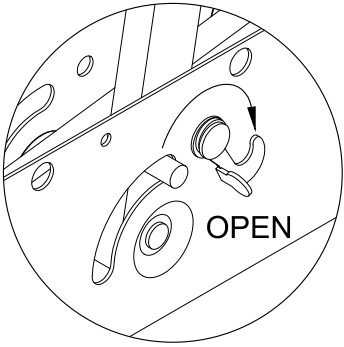
Cx18

Cx18

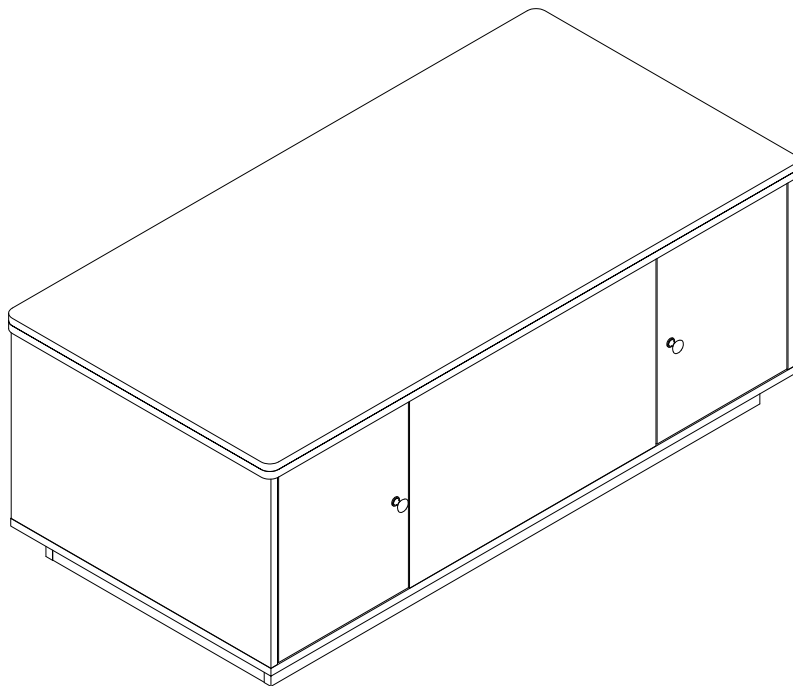
D

C	18PCS	D	3PCS
			
ø3.5*14mm			

18



19



OK