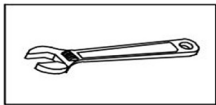
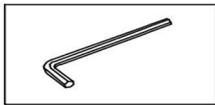


## TV Stand Installation

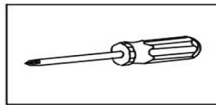
Tools You Will Need: Tools You May Need



Adjustable wrench



Hexagon wrench



Philips Screwdriver

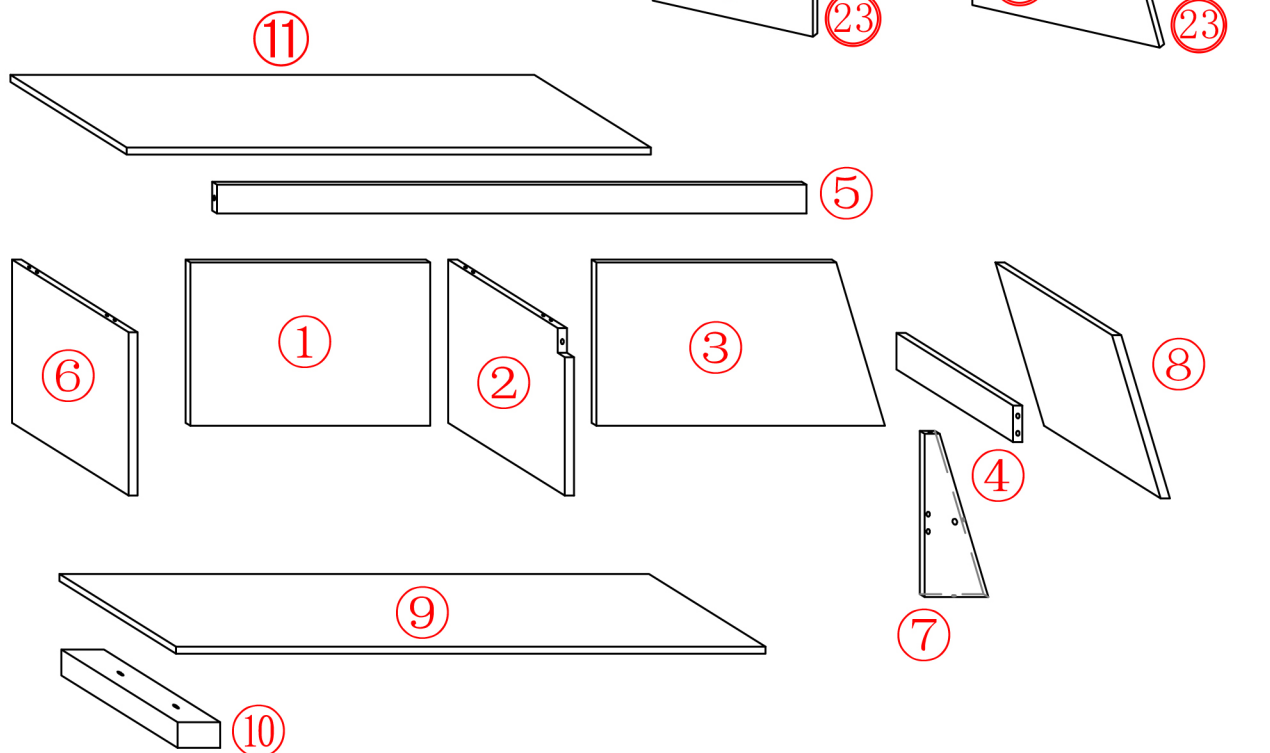
### Before the Installation

1. Do not throw away packing materials until assembly is complete for small parts may come loose inside the carton during shipment. If parts are missing, please contact us.
2. Assemble this item on a soft surface, such as carpet to protect the finish.
3. Proper assembly of this item requires 2 people.
4. Periodically check to ensure that all connections are tight.
5. It is recommended that installation of the product be done by a qualified licensed furniture assembler.

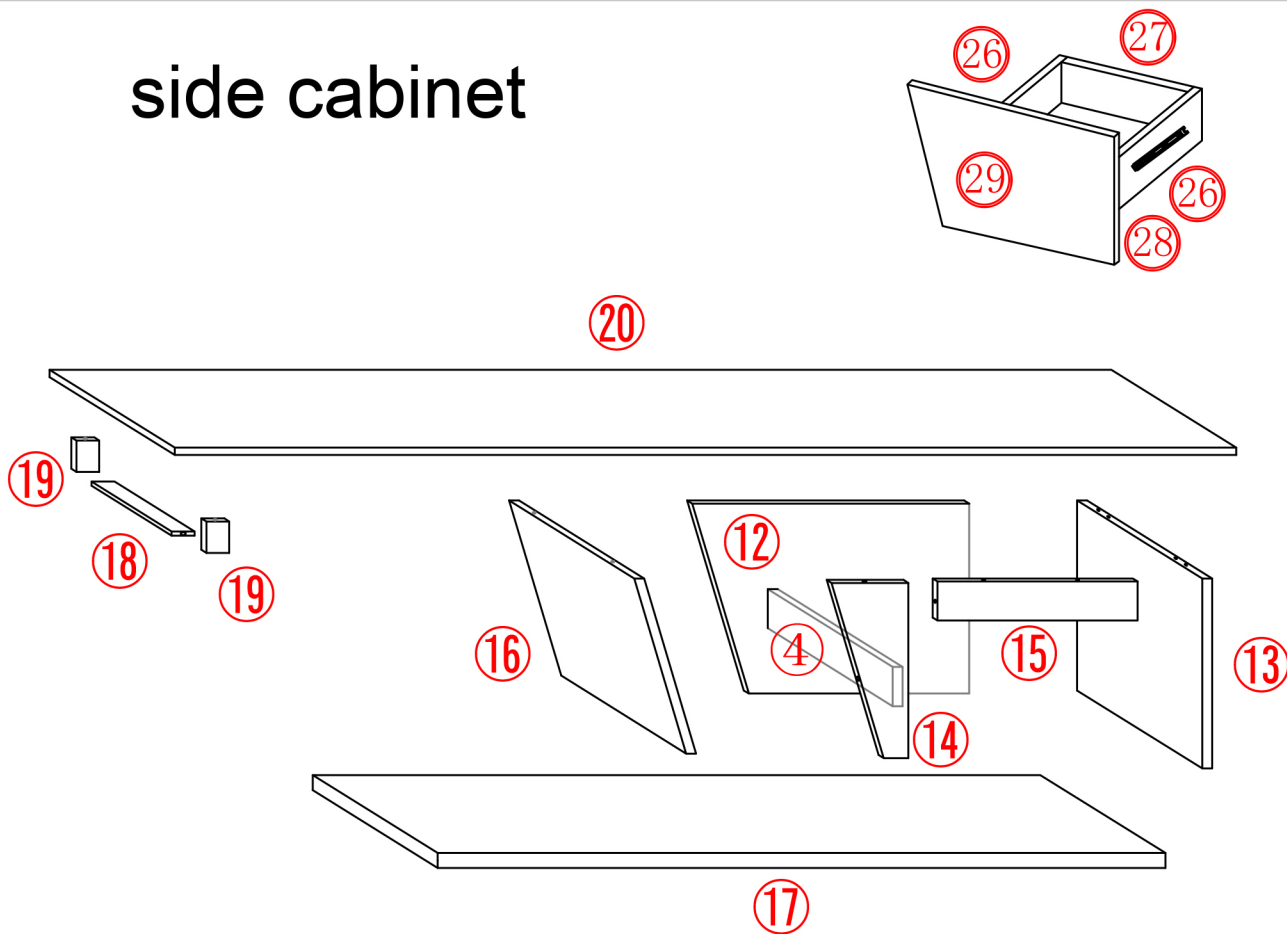
### Care and Cleaning

1. To protect the finish, avoid use chemicals and household cleaners.
2. All hot serving dishes should be placed on a pad.
3. Any liquid spilled onto the top should be cleaned up immediately with a damp cloth.

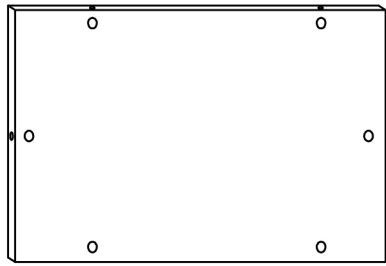
# main cabinet



# side cabinet

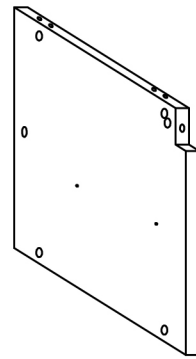


1.



1PC

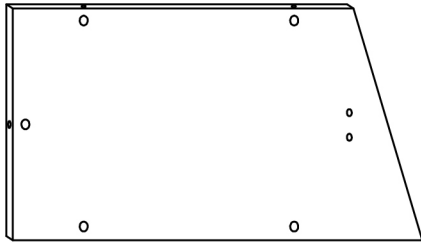
2.



1PC

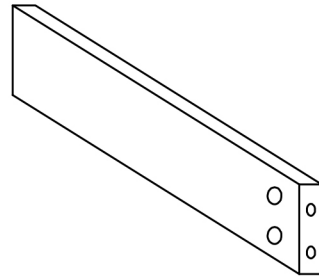
3.

605\*240mm



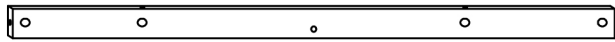
1PC

4.



2PCS

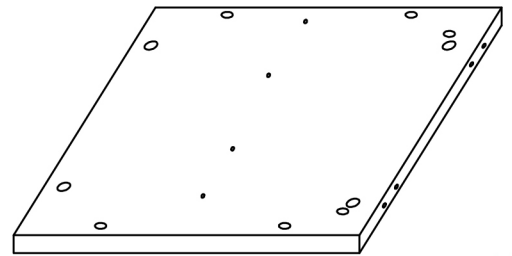
5.



1PC

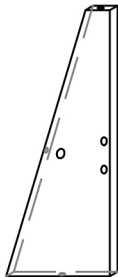
6.

400\*240mm



1PC

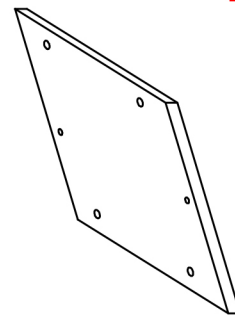
7.



2PCS

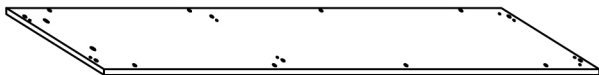
8.

400\*247mm



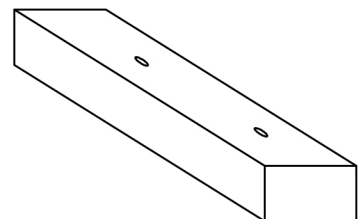
1PC

9.



1PC

10.



1PC

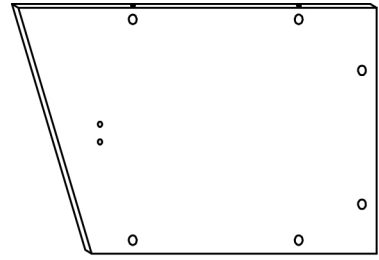
11.



1PC

12.

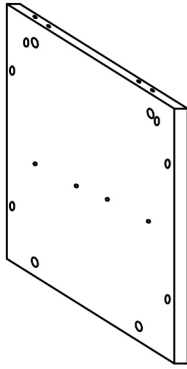
571\*350mm



1PC

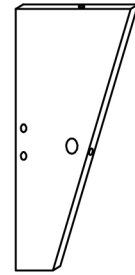
13.

400\*350mm



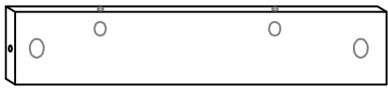
1PC

14.



2PCS

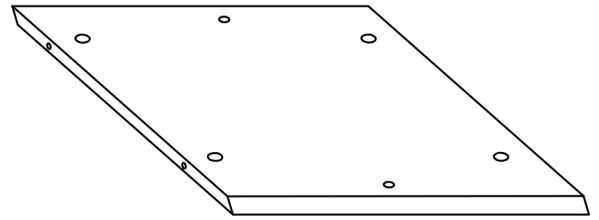
15.



1PC

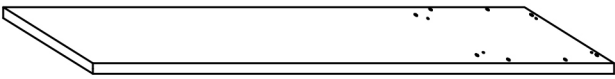
16.

400\*359mm



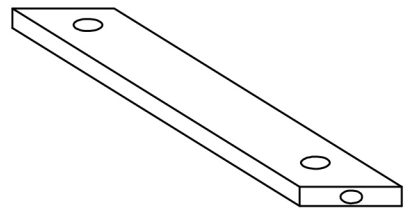
1PC

17.



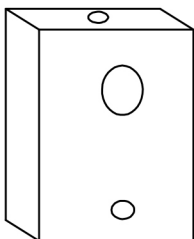
1PC

18.



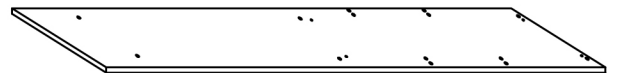
1PC

19.

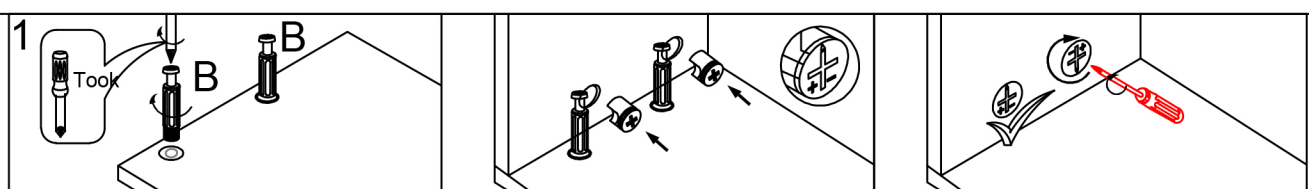
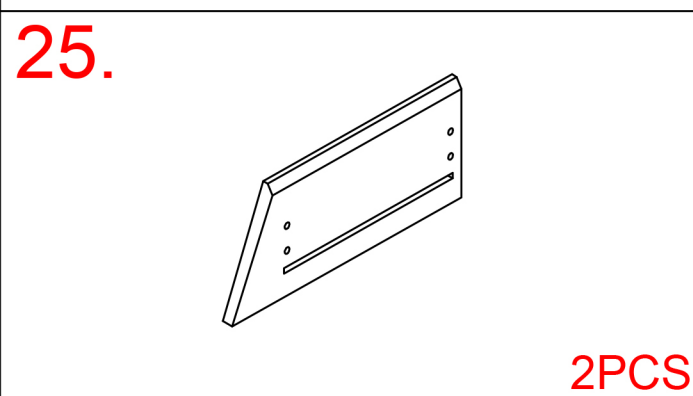
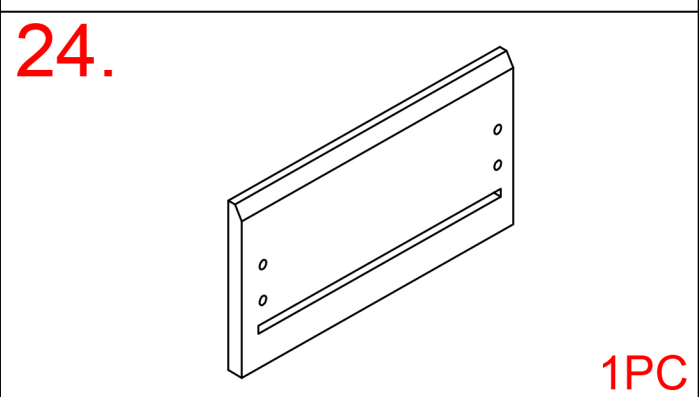
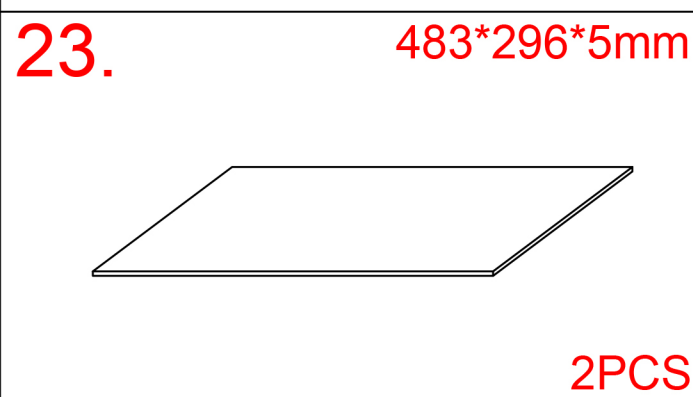
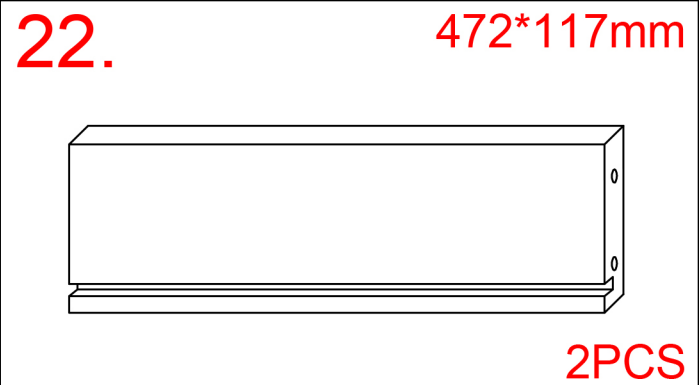
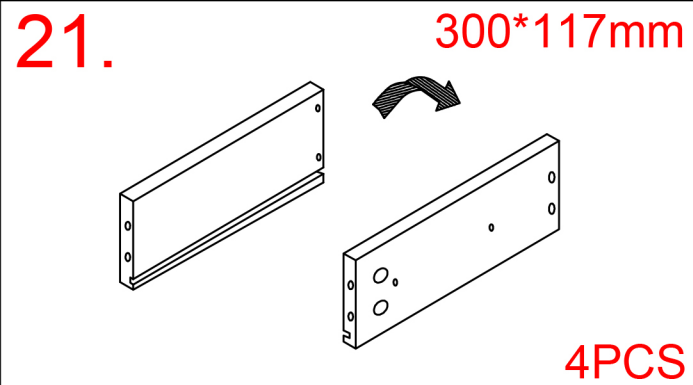


2PCS

20.



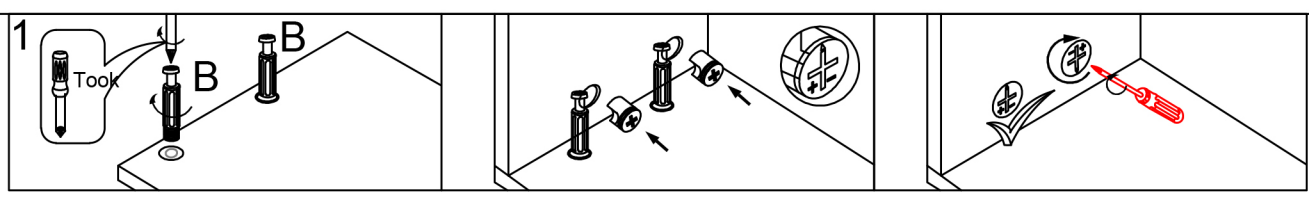
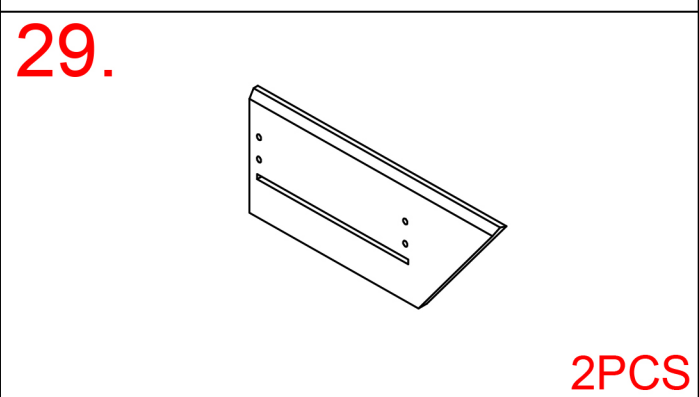
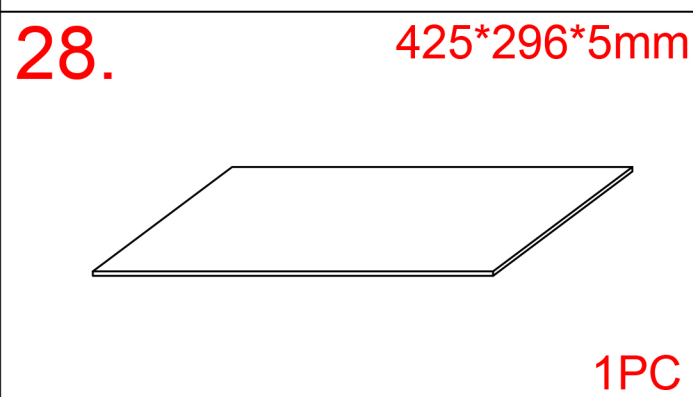
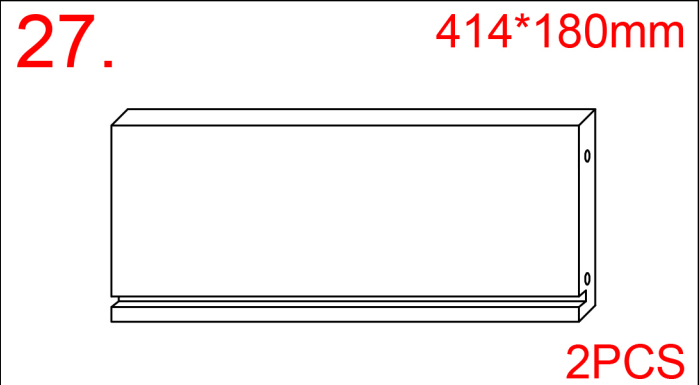
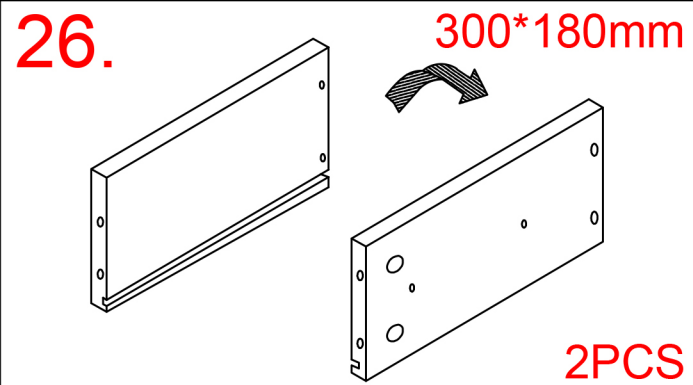
1PC



<b>A</b>  Ø15*10	<b>B</b>  Ø6*28MM	<b>C</b>  Ø3.5*14MM	<b>D</b>  12#	<b>E</b> 	<b>F</b>  Ø6*25MM	<b>G</b>  Ø6*12MM	<b>H</b>  Ø6*35MM
------------------------	-------------------------	---------------------------	---------------------	--------------	-------------------------	-------------------------	-------------------------

<b>I</b>  Ø3.5*40MM	<b>J</b> J1  J2 M4*18MM		<b>K</b>  Ø3.5*25MM	<b>L</b>  Ø6-12MM	<b>M</b>  Ø6-30MM	<b>N</b>  Ø6*20MM	<b>O</b>  Ø6*30MM
---------------------------	-------------------------------	--	---------------------------	-------------------------	-------------------------	-------------------------	-------------------------

<b>P</b>  Ø8*40MM	<b>Q</b> 	<b>R</b> 
-------------------------	--------------	--------------



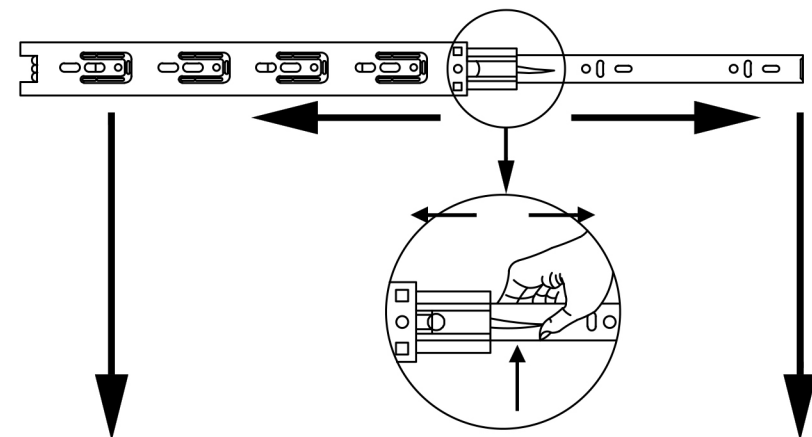
<b>A</b>  Ø15*10	<b>B</b>  Ø6*28MM	<b>C</b>  Ø3.5*14MM	<b>D</b>  12#	<b>E</b> 	<b>F</b>  Ø6*25MM	<b>G</b>  Ø6*12MM	<b>H</b>  Ø6*35MM
------------------------	-------------------------	---------------------------	---------------------	--------------	-------------------------	-------------------------	-------------------------

<b>I</b>  Ø3.5*40MM	<b>J</b> J1 J2 M4*18MM		<b>K</b>  Ø3.5*25MM	<b>L</b>  Ø6-12MM	<b>M</b>  Ø6-30MM	<b>N</b>  Ø6*20MM	<b>O</b>  Ø6*30MM
---------------------------	---------------------------------	--	---------------------------	-------------------------	-------------------------	-------------------------	-------------------------

<b>P</b>  Ø8*40MM	<b>Q</b> 	<b>R</b> 
-------------------------	--------------	--------------

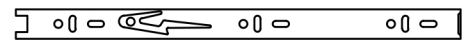
1

D\*

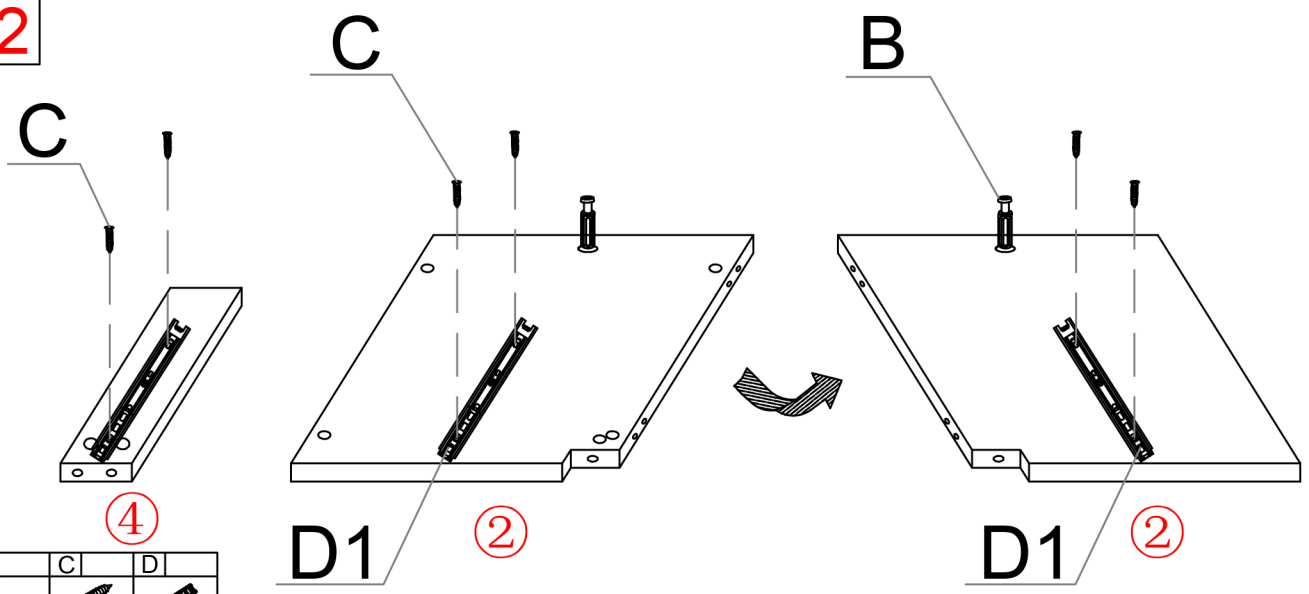


D1

D2

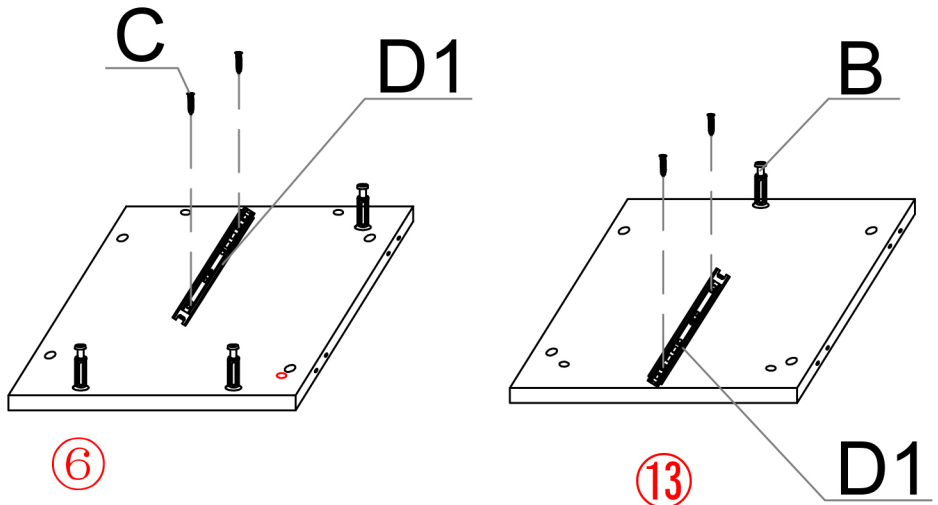


2



B	C	D
Ø6*28MM	Ø3.5*14MM	12#

3



Installation method

B	C	D
Ø6*28MM	Ø3.5*14MM	12#

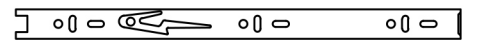
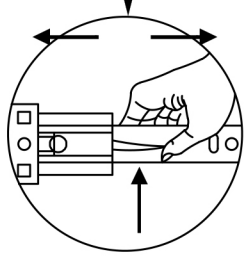
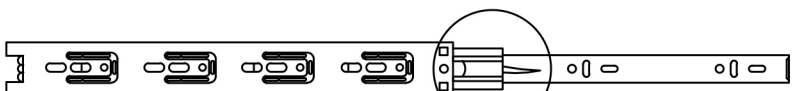
4

D\*

21

D1

D2



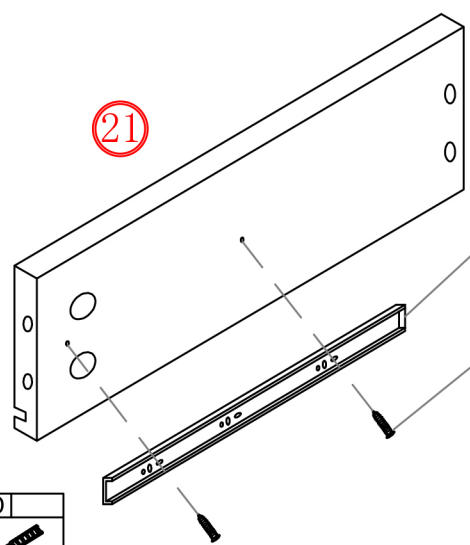
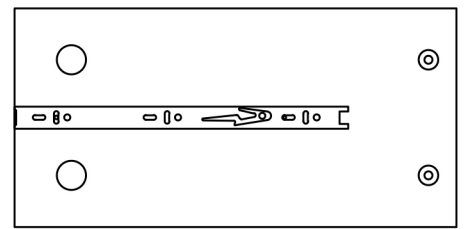
C	D
Ø3.5*14MM	12#

5

21

D2

C



C	D
Ø3.5*14MM	12#

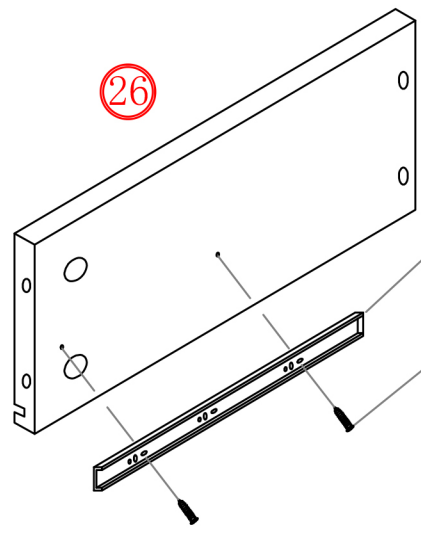
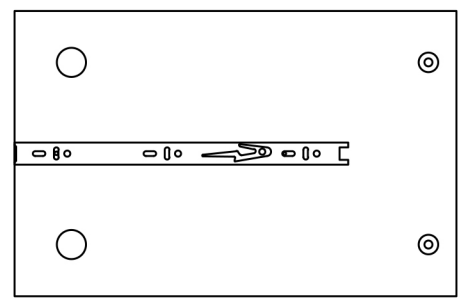
4PCS

6

26

D2

C

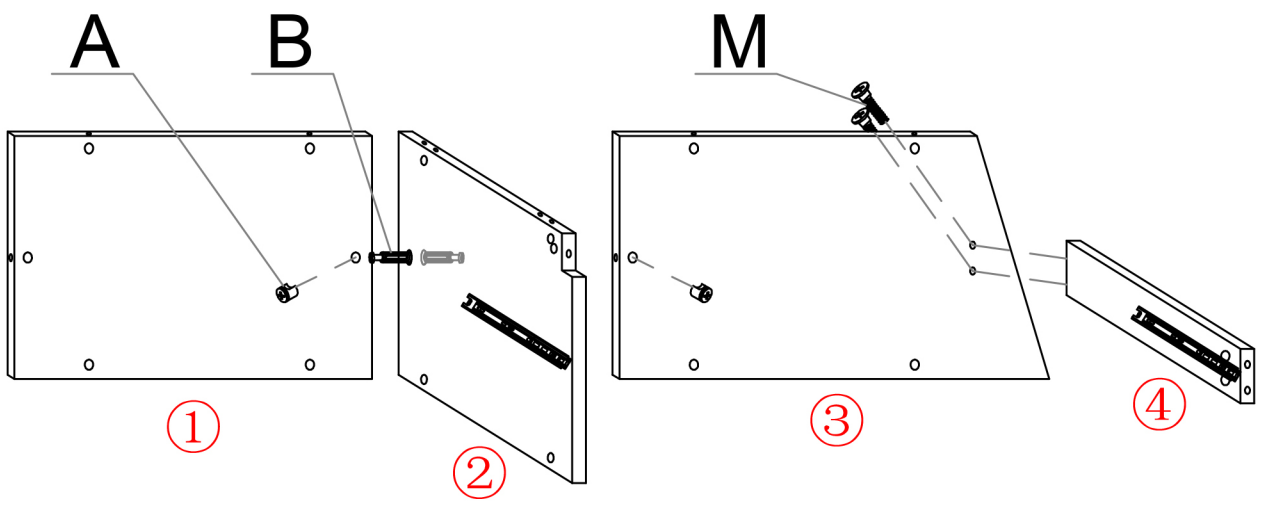


C	D
Ø3.5*14MM	12#

2PCS

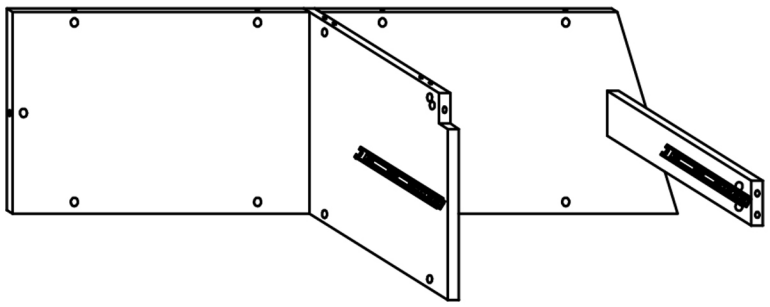


6

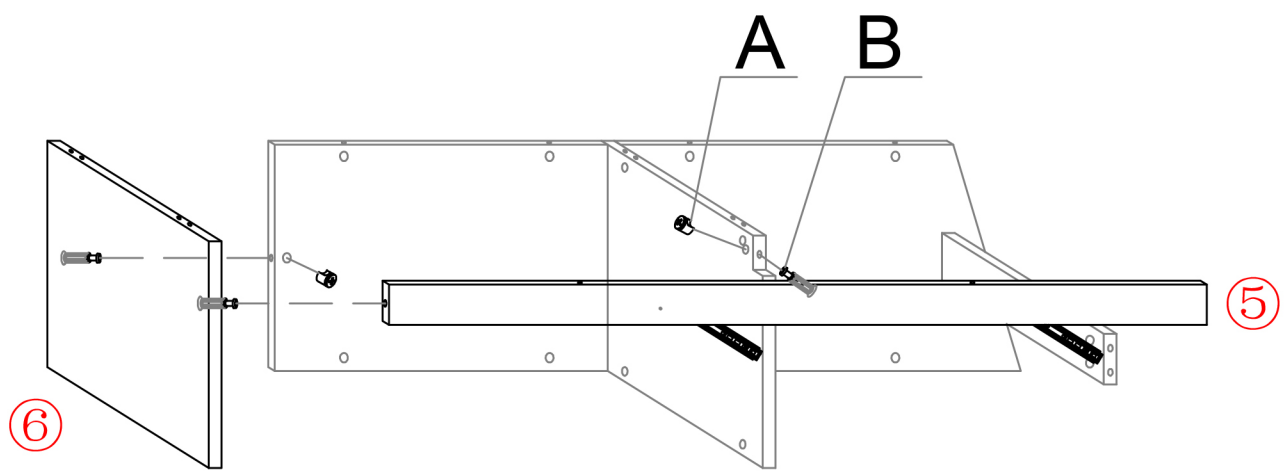


A	B	M
Ø15*10	Ø6*28MM	Ø6-30MM

7

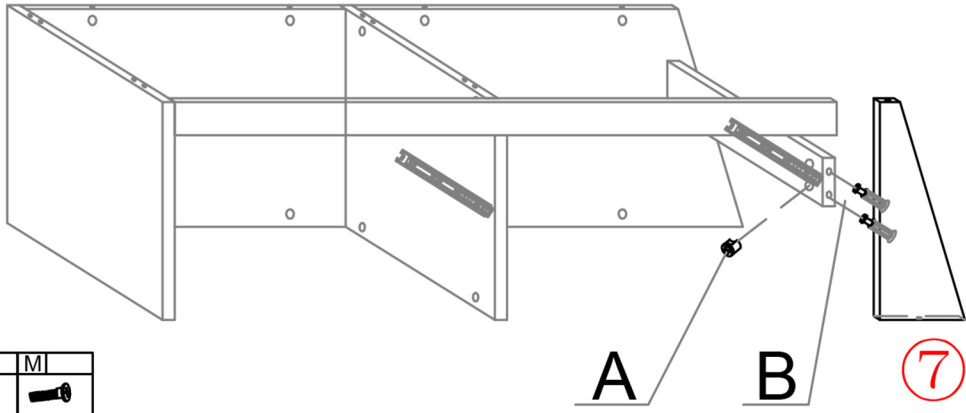


8



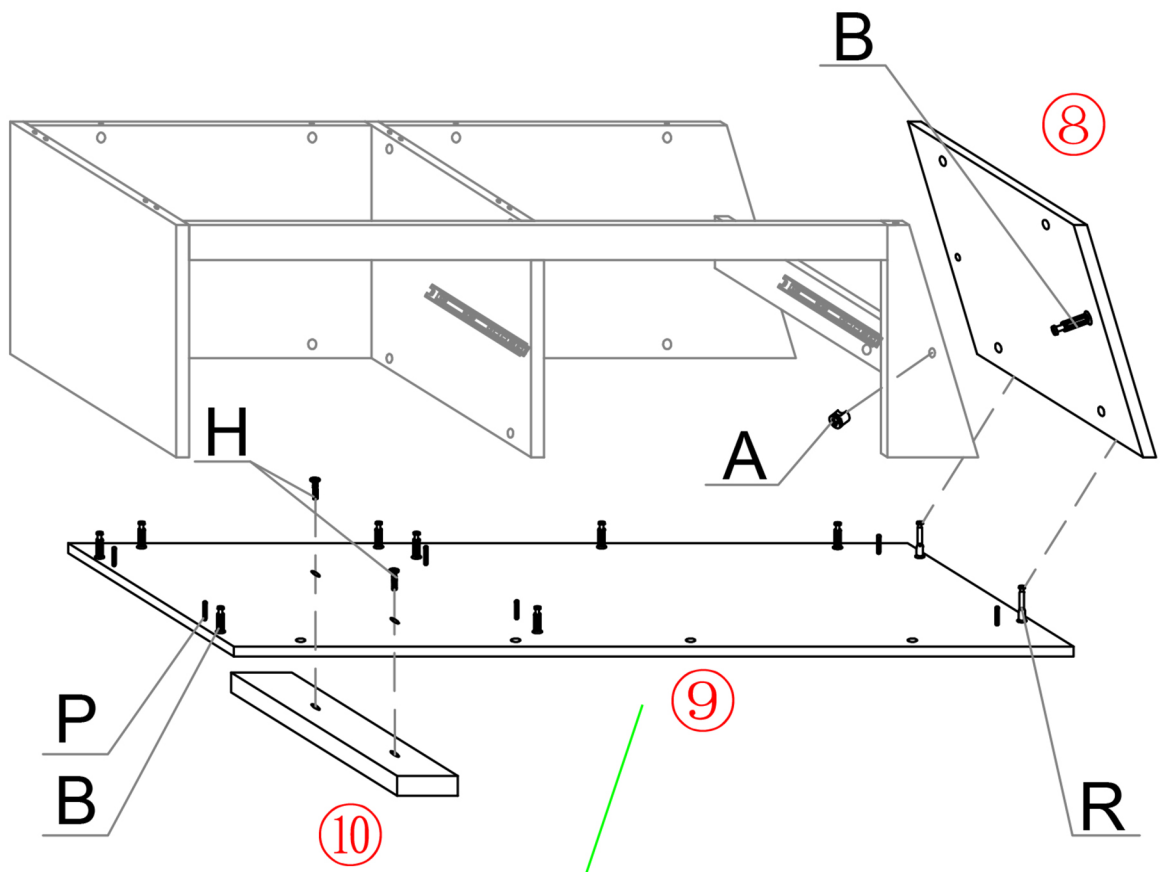
A	B
Ø15*10	Ø6*28MM

9

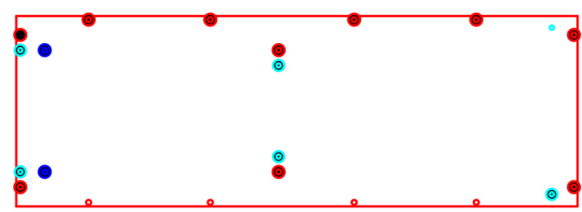


A	B	M
Ø15*10	Ø6*28MM	Ø6-30MM

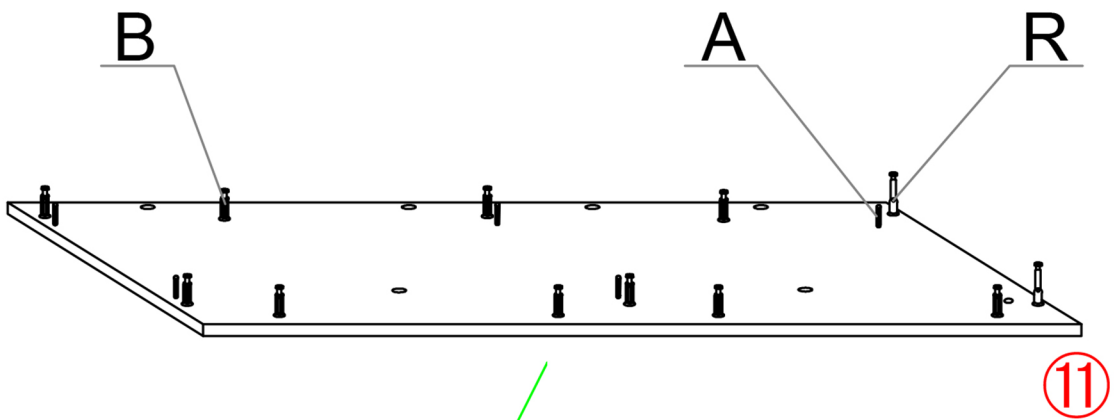
10



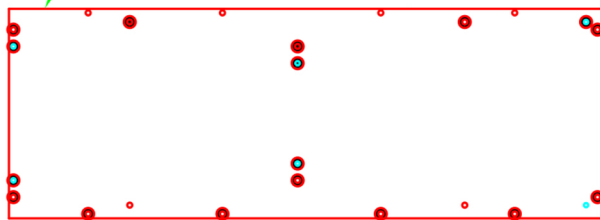
A	B	H	P	R
Ø15*10	Ø6*28MM	Ø6*35MM	Ø8*40MM	



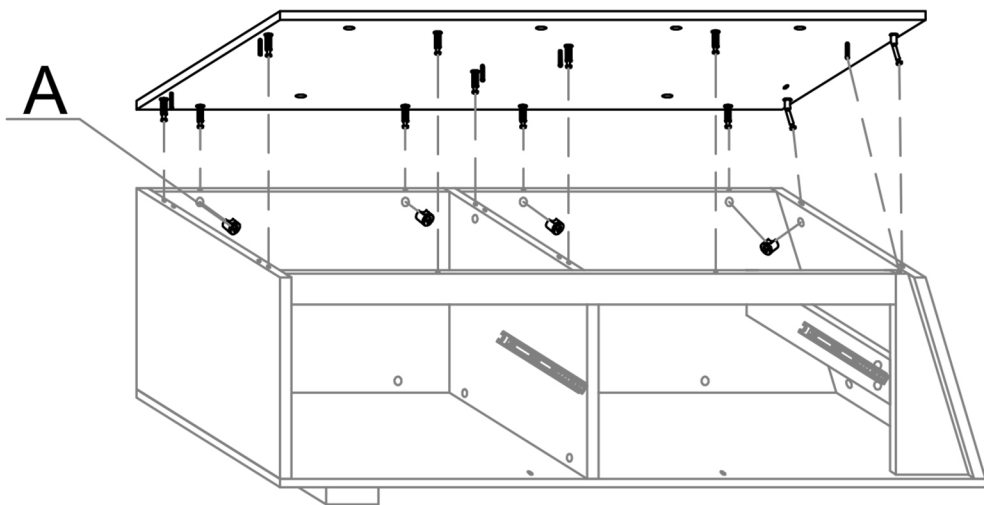
The R-side cabinet, "part9"  
 need to be installed with screws.  
 (There is no need to install screws  
 in the hole without identification)

**11**

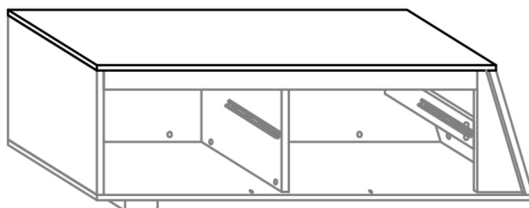
B	P	R
Ø6*28MM	Ø8*40MM	



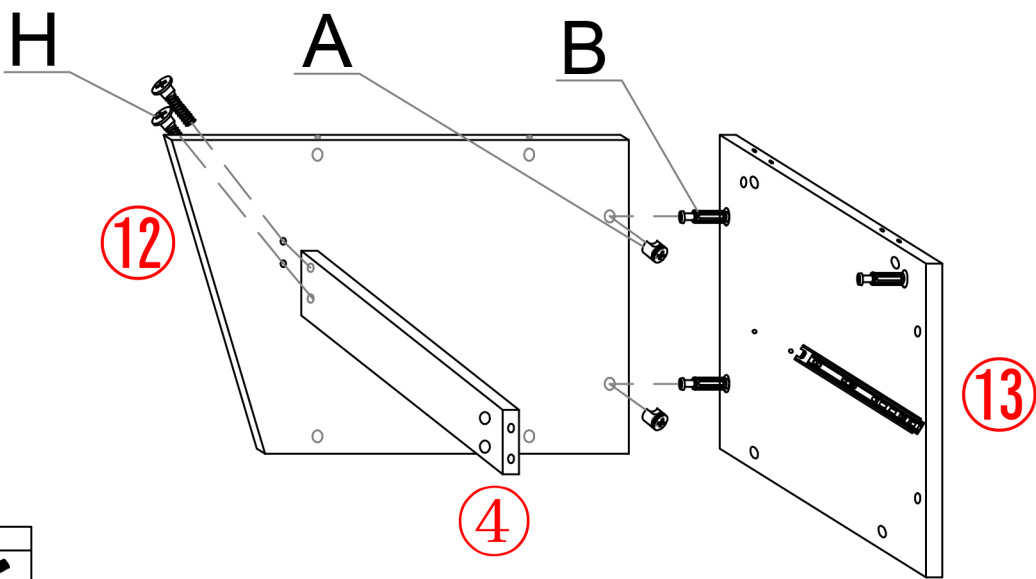
The R-side cabinet, "part11" need to be installed with screws.  
 (There is no need to install screws in the hole without identification)

**12**

A
Ø15*10

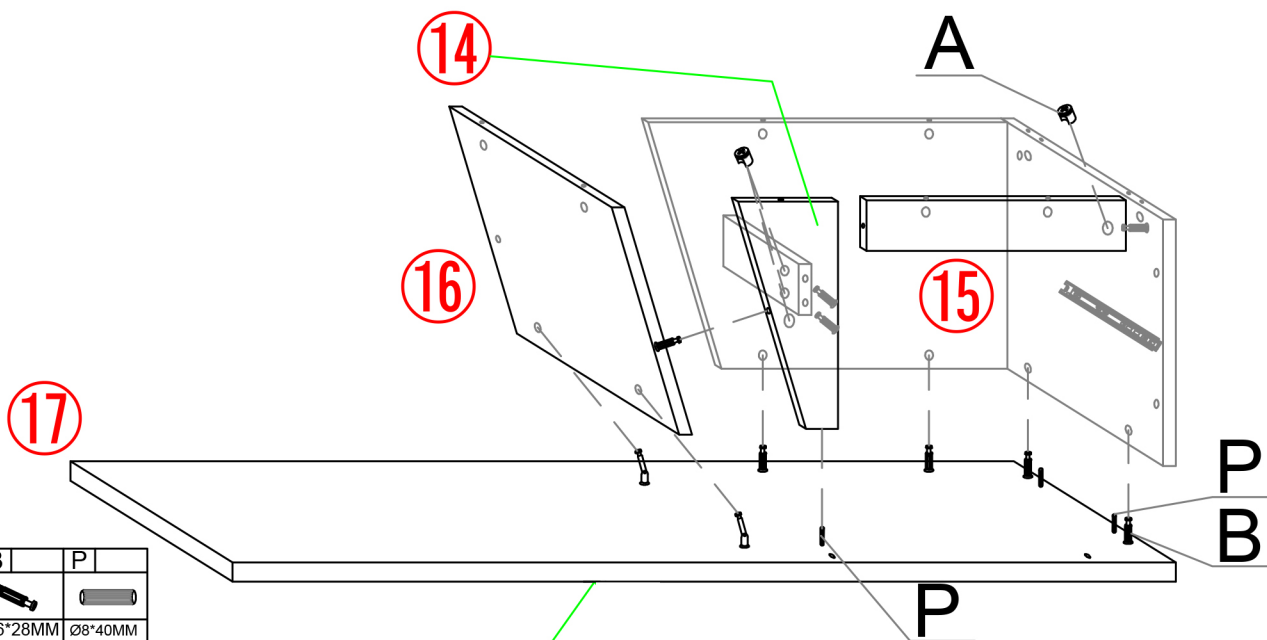


13

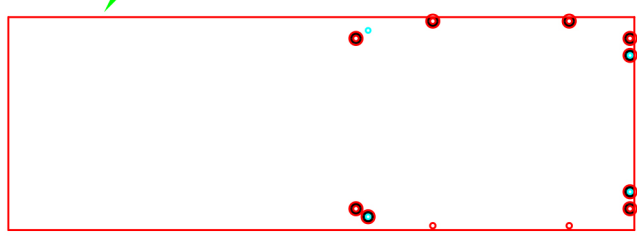


A	B	H
Ø15*10	Ø6*28MM	Ø6*35MM

14



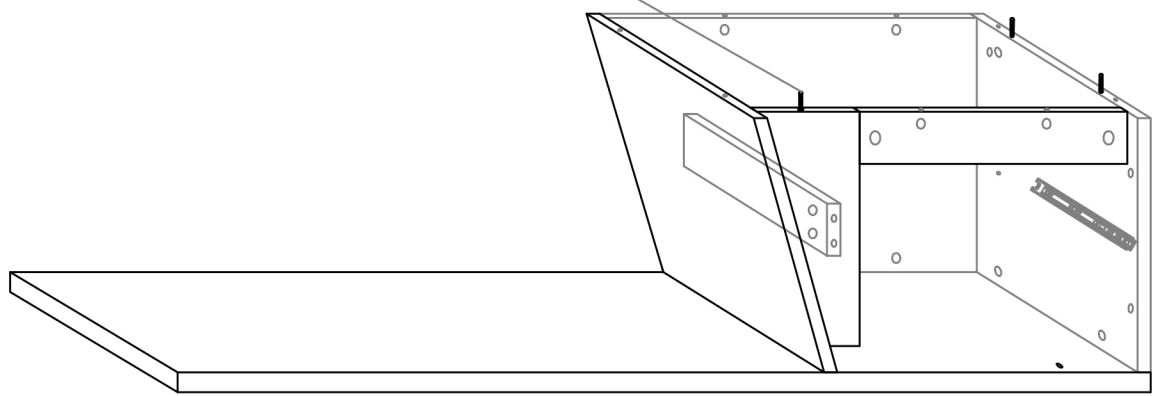
R	A	B	P
	Ø15*10	Ø6*28MM	Ø8*40MM




The R-side cabinet, "part17" need to be installed with screws.  
 (There is no need to install screws in the hole without identification)

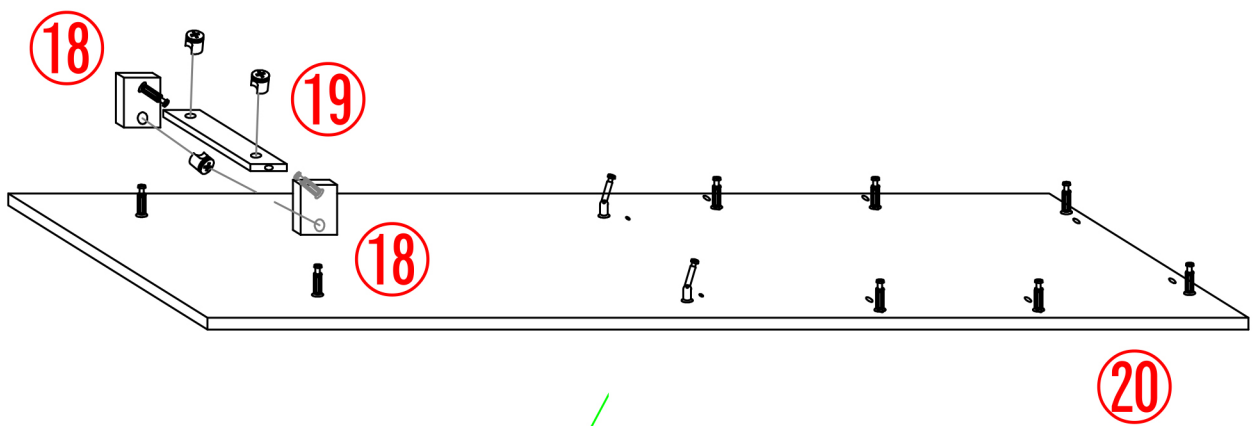
15

P

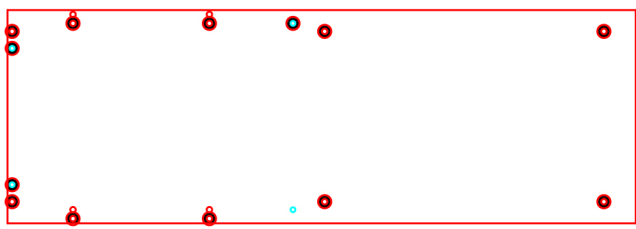
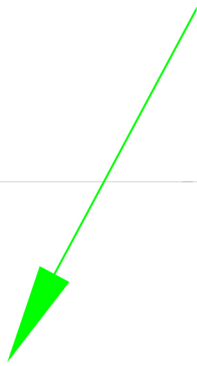


P

Ø8*40MM

16

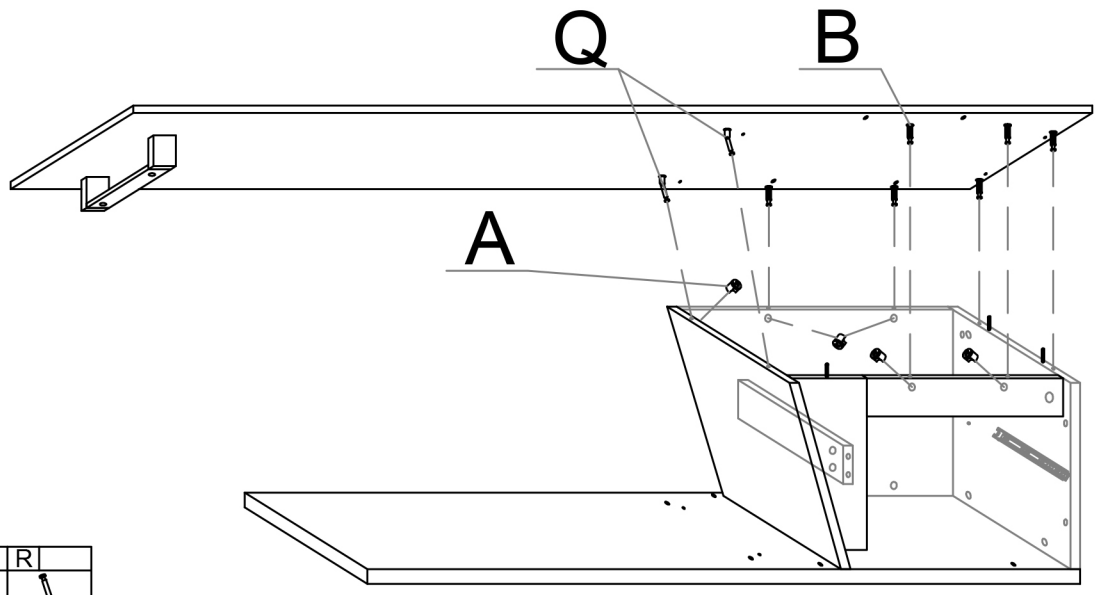




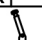
A	B	R
		
Ø15*10	Ø6*28MM	



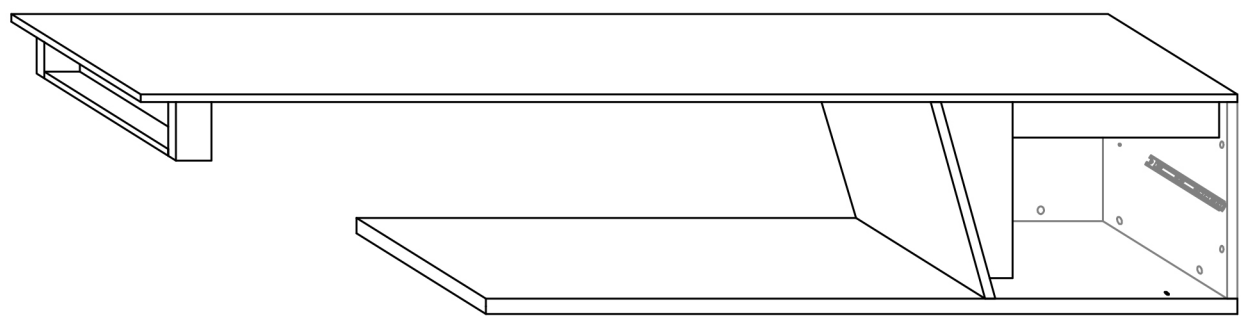
The R-side cabinet, "part20"  
 need to be installed with screws.  
 (There is no need to install screws  
 in the hole without identification)

17

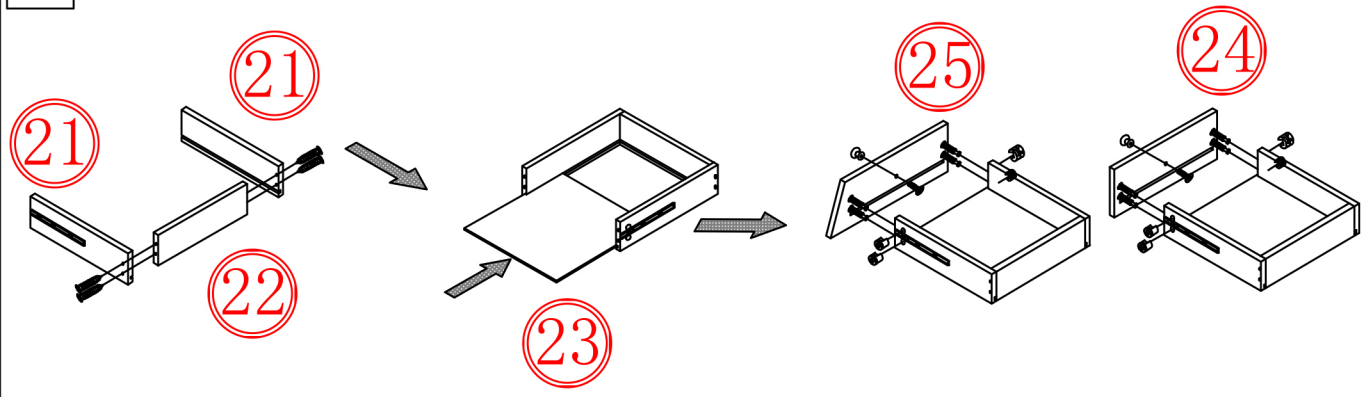


A	B	R
		
Ø15*10	Ø6*28MM	

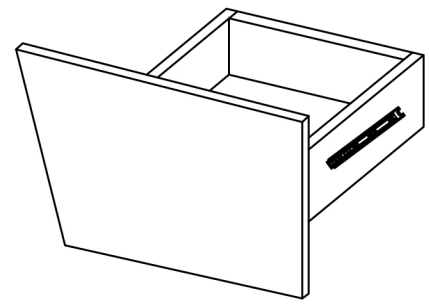
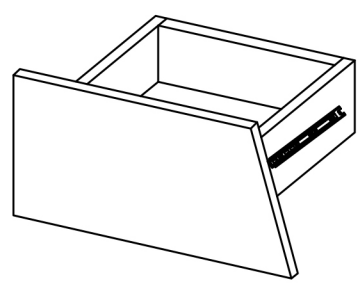
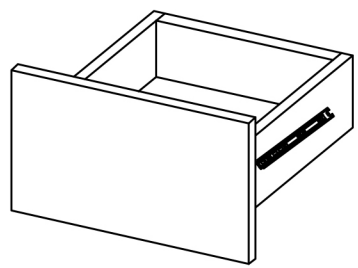
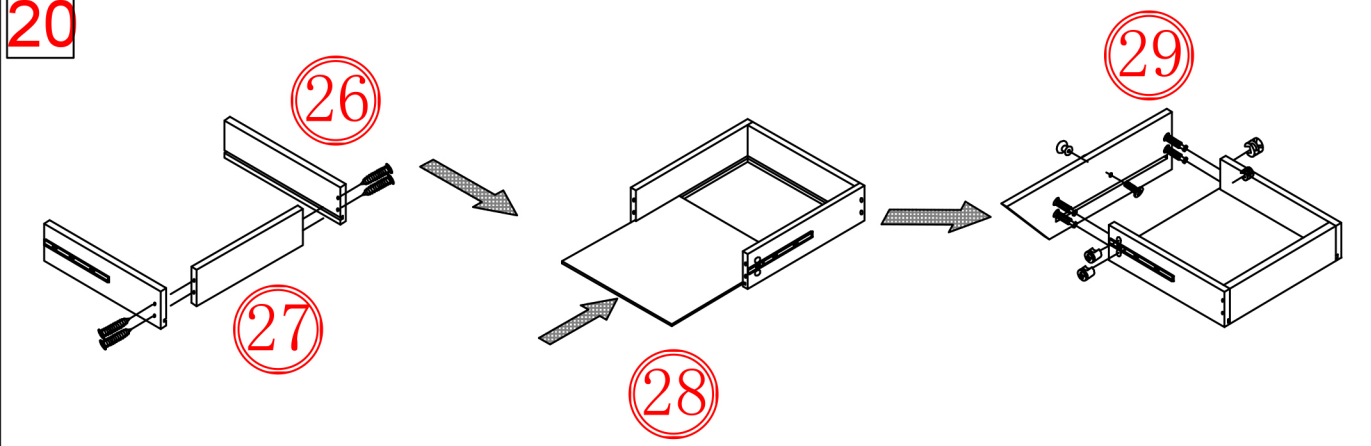
18

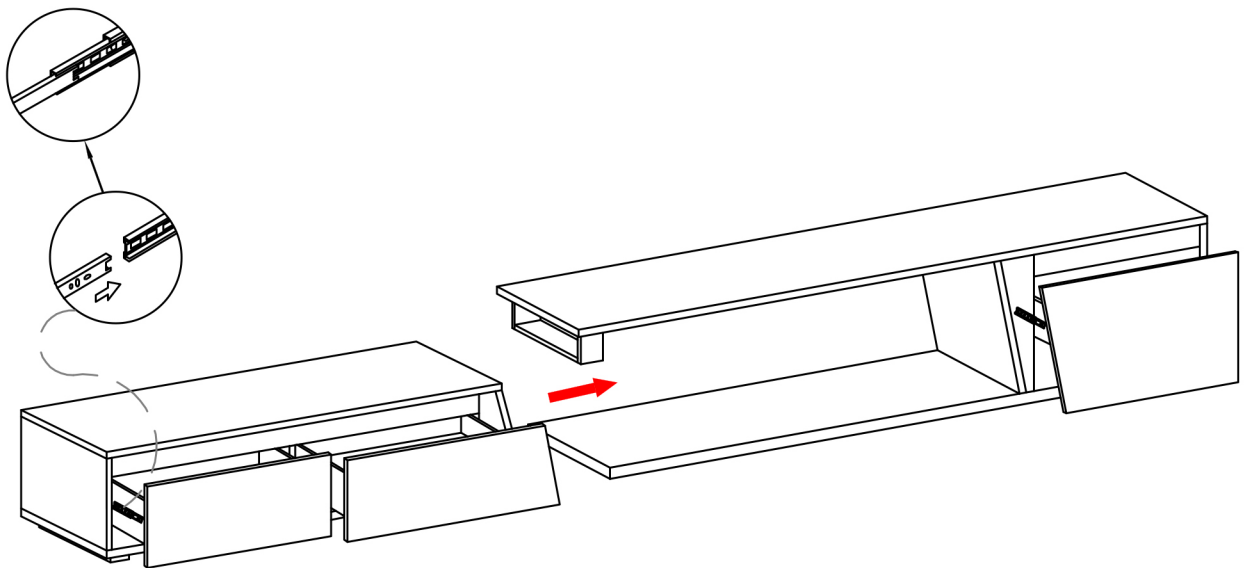


19



20





odd parts

