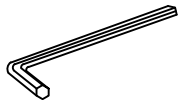


## INSTALLATION MANUAL Tools You Will Need:



Big hexagon wrench



Little hexagon wrench



Philips Screwdriver

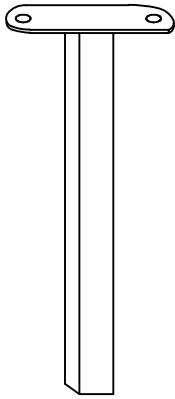
## Before the Installation

1. Do not throw away packing materials until assembly is complete for small parts may come loose inside the carton during shipment. If parts are missing, please contact us.
2. Assemble this item on a soft surface, such as carpet to protect the finish.
3. Proper assembly of this item requires 2 people.
4. Periodically check to ensure that all connections are tight.
5. It is recommended that installation of the product be done by a qualified licensed plumber.

## Care and Cleaning

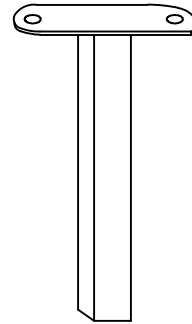
1. To protect the finish, avoid use chemicals and household cleaners.
2. All hot serving dishes should be placed on a pad.
3. Any liquid spilled onto the top should be wiped up immediately with a damp cloth.

1.



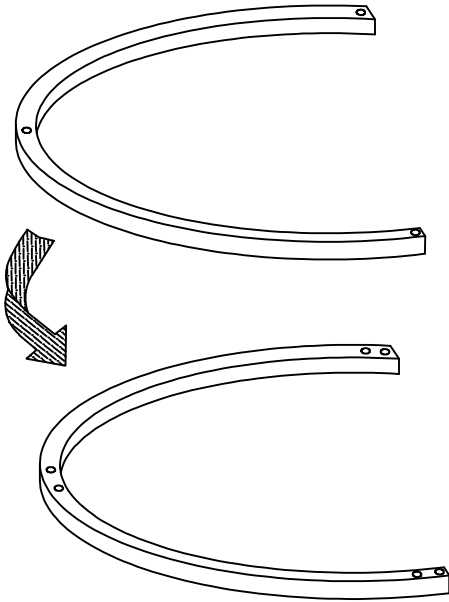
Length: 265mm 3PCS

2.



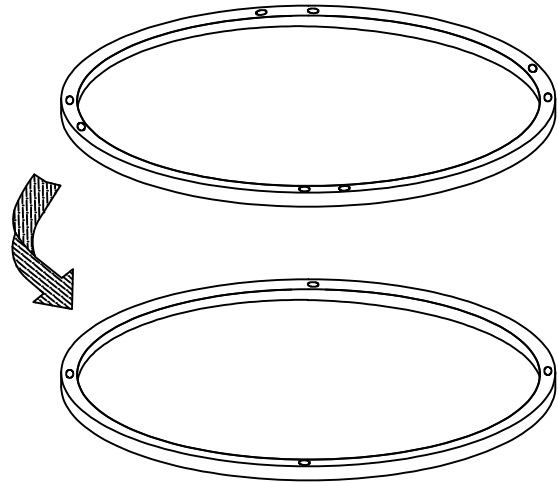
Length: 174mm 4PCS

3.



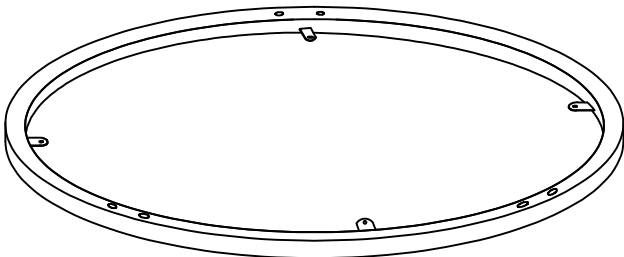
1PC

4.



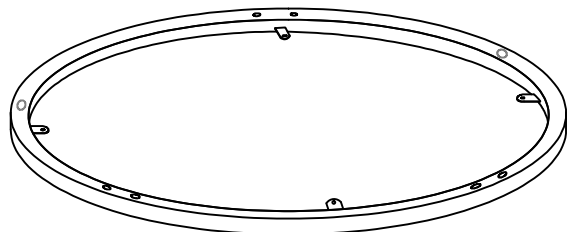
Ø700mm 1PC

5.



Ø800mm 1PC

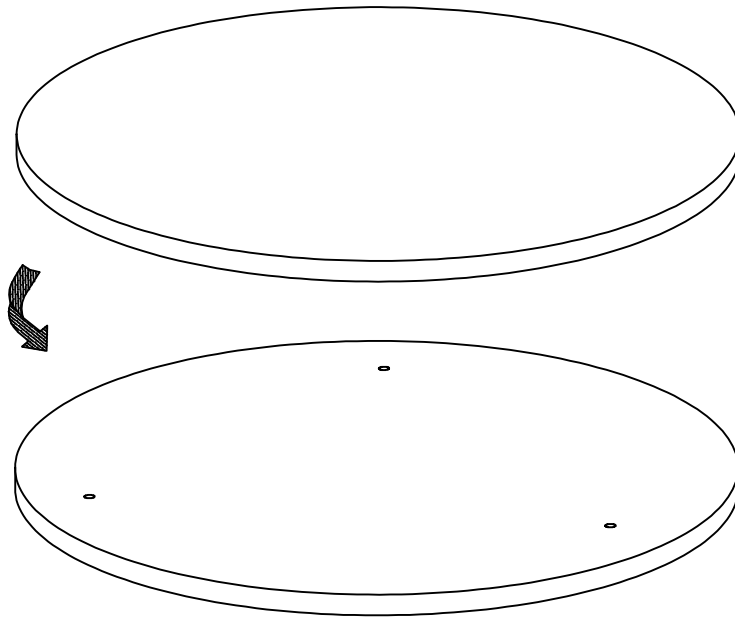
6.



Ø700mm 1PC

7.

Ø800mm



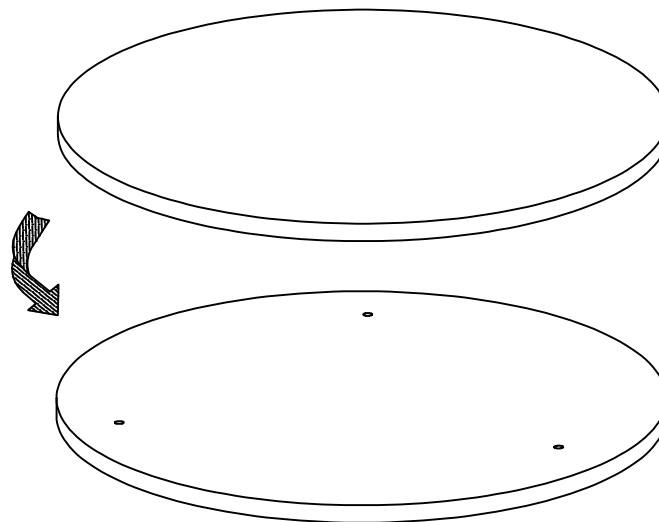
upper  
(This side is up)

bottom

There are several holes at the bottom, which belong to process holes, not reserved screw holes.

8.

Ø700mm



upper  
(This side is up)

bottom

There are several holes at the bottom, which belong to process holes, not reserved screw holes.

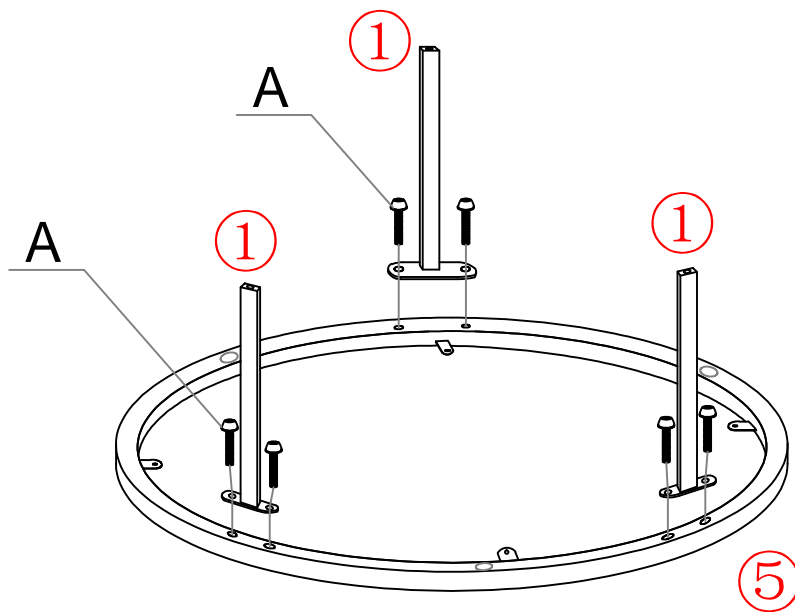
A	21
Ø12*25	


B	5
Ø15*17	

C	8
Ø8*20	

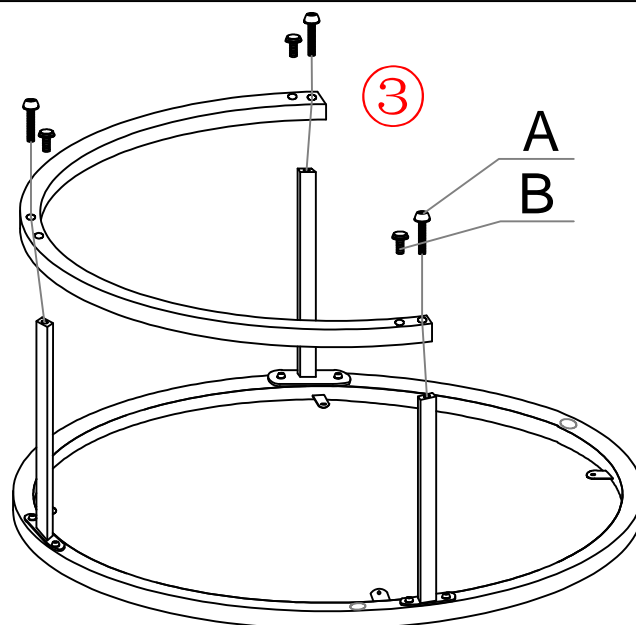
D	8
Ø20*2	



1



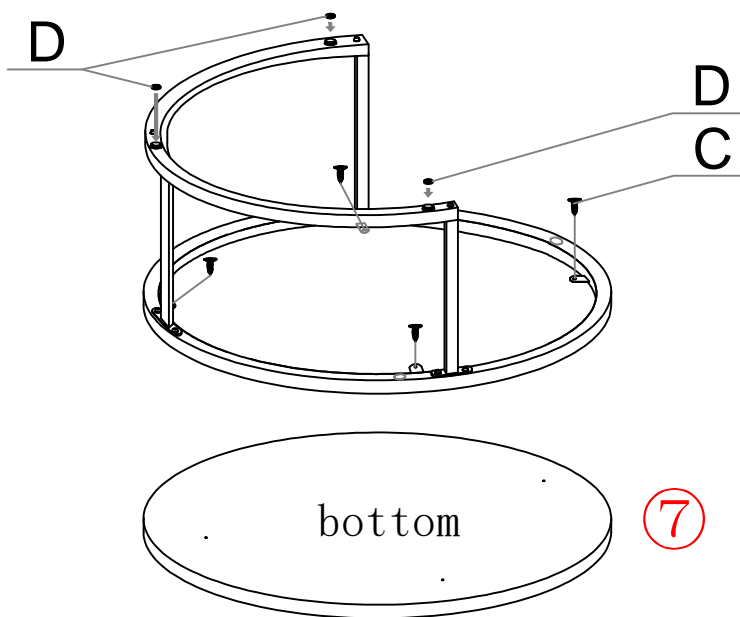
A	6
	
Ø12*25	



2



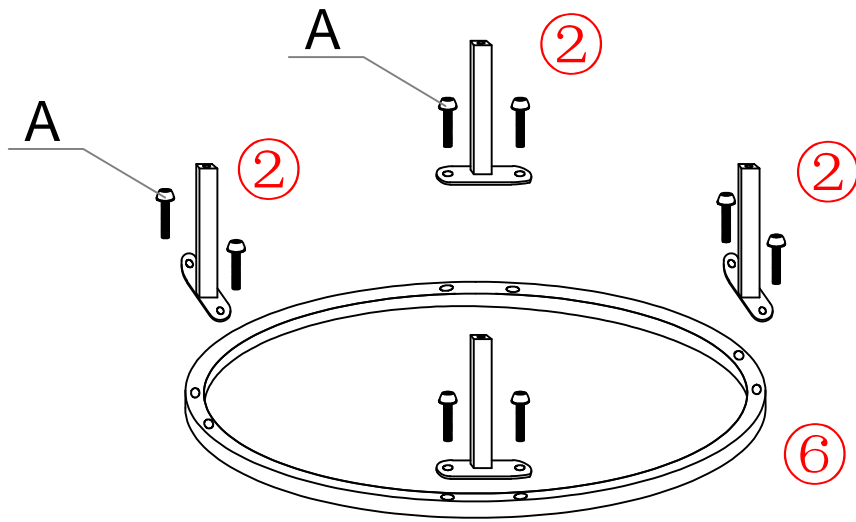
A	3	B	3
			
Ø12*25		Ø15*17	

3



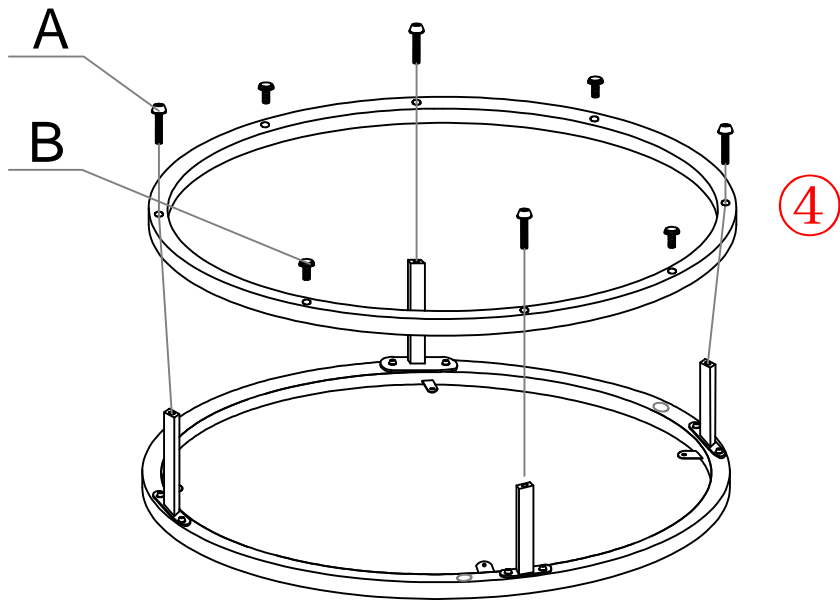
C	4	D	3
			
Ø8*20		Ø20*2	

4



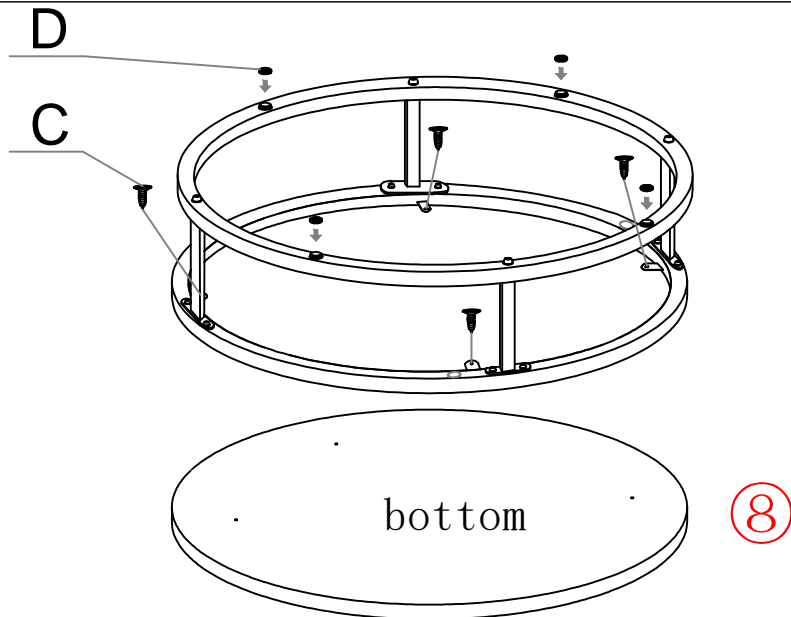
A	8
Ø12*25	

5



A	4	B	4
Ø12*25		Ø15*17	

6



C	4	D	3
Ø8*20		Ø20*2	